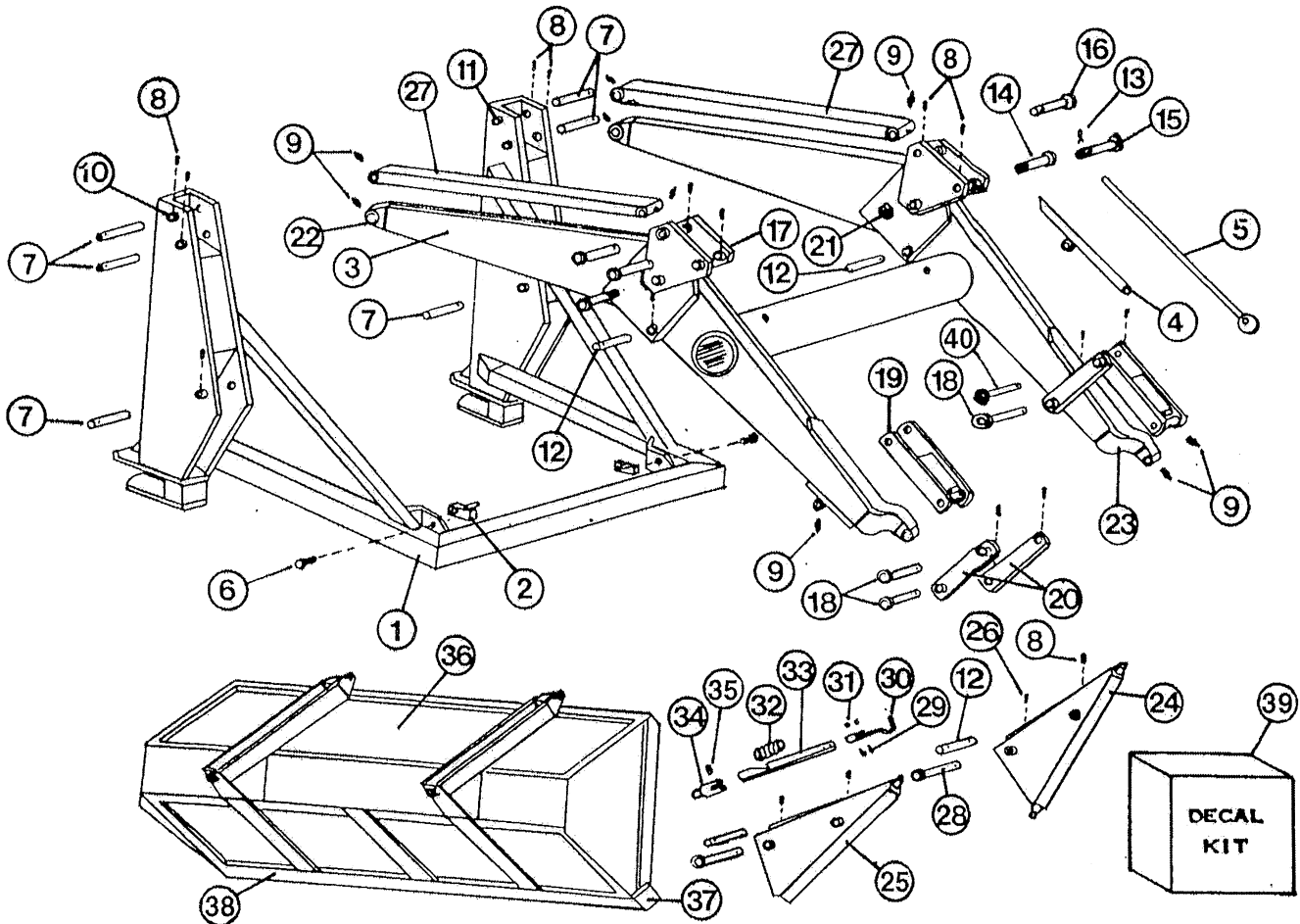


# WL-44 Basic Loader Parts



REF. NU.	PART NU.	DESCRIPTION	QTY.	REF. NU.	PART NU.	DESCRIPTION	QTY.
1	BJT-1AAS	TOWER	1	23	WW-310	S-CASTING	2
2	BT-18BAS	FLOP LOCK	2	24	QC-201COM	COUPLER COMPLETE	--
3	BJF-4AS	FRAME (ONLY)	1	25	QC-201AS	COUPLER SHELL	--
4	LMF-31AS	GUAGE ROD HOLDER	1	26	DRP0600032	DOUBLE ROLL PIN	2
5	BF-47BAS	GUAGE ROD	1	27	BJF-23AAS	TOP LINKAGE ARM	2
6	HHS1011028	FLOP LOCK BOLT	2	28	QC-206AS	PIN	2
7	JT-20A	PIN	6	29	HHS0518016	BOLT	4
8	DRP0600028	DOUBLE ROLL PIN	18	30	QC-7AS	HANDLE	2
9	ZER1805	GREASE FITTING	16	31	HTN0518	LOCKNUT	4
10	SB-7	1-HOLE BUSHING	--	32	QC-12	SPRING	2
11	JB-5	BUSHING	--	33	QC-8	LATCH	2
12	LF-82A	PIN	4	34	QC-3	PLUNGER	2
13	CTK0400082	COTTER KEY	1	35	RLP0500020	ROLL PIN	2
14	LMF-24AS	HINGE PIN	2	36	66Q421	66 BUCKET	
15	LMF-26CAS	UPPER GA. ROD PIN	1		84Q427	84 BUCKET	
16	LMF-25AAS	LINKAGE PIN	3		96Q431	96 BUCKET	
17	TF-29AAS	HINGE PLATE	4	37	SB-15	SIDE BLADE	2
18	LMF-18AAS	PIN	3	38	IB-14	66 CUTTING BLADE	
19	LMF-14AS	CONNECTOR LINKAGE	2		SB-14	84 CUTTING BLADE	
20	LMF-10AS	HINGE BAR	4		CB-14	96 CUTTING BLADE	
21	HFN1614	NUT	2	39	DEC-44	DECAL KIT	1
22	WW-300	ARM END CASTING	2	40	QC-306BAS	LINKAGE PIN	1

ORDER PART NU. REQUIRED BY MEASURING  
THE BUCKET WIDTH.

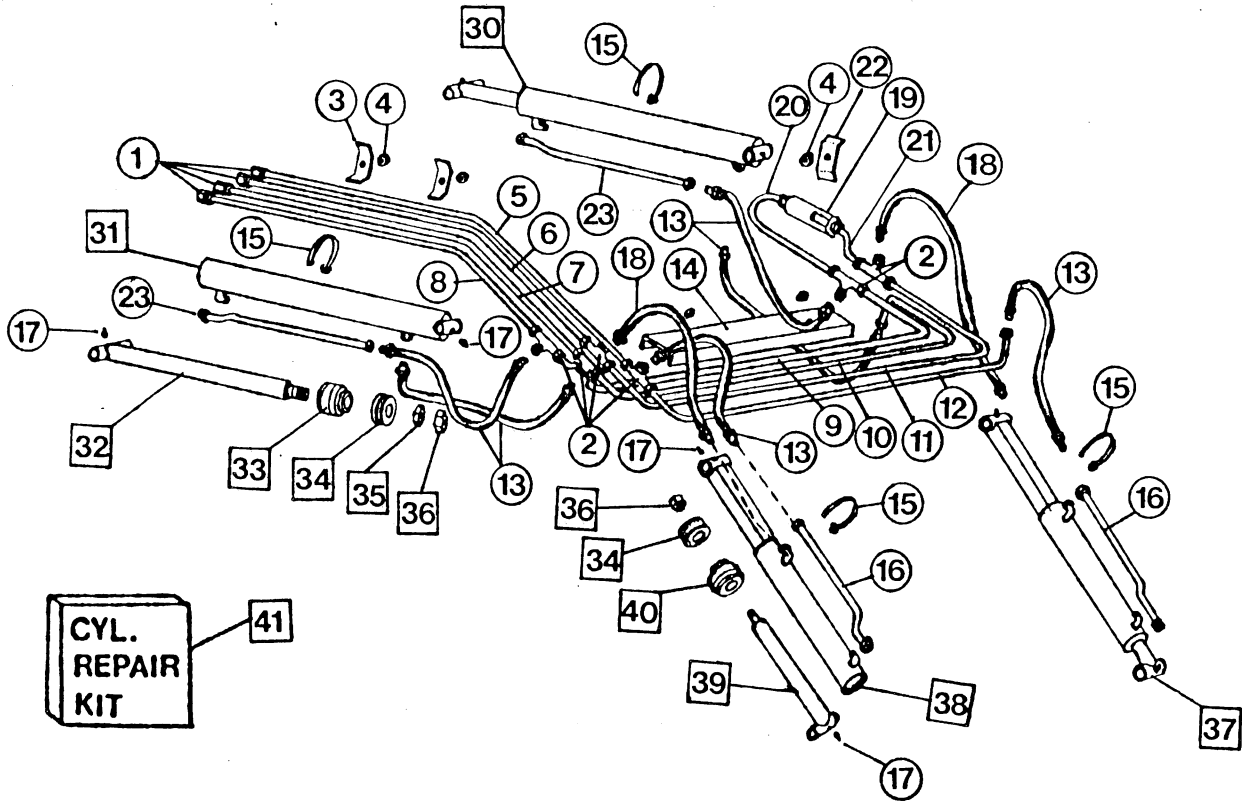


**WESTENDORF MFG. CO.**

ONAWA, IOWA 51040

PH. (712) 423-2762

# WL-44 HYDRAULIC SYSTEM



## ○ HYDRAULIC OIL LINE PARTS

REF. NU.	PART NU.	DESCRIPTION	QTY.
1	FFC8	FEMALE CONN.	4
2	FSBT8	SWEVIL NUT TEE	6
3	OH-3	OIL LINE HOLDER	2
4	HFN0616	3/8 NUT	5
5	OLT-24	OIL LINE	1
6	OLT-25	OIL LINE	1
7	OLT-26	OIL LINE	1
8	OLT-27	OIL LINE	1
9	OLT-28	OIL LINE	1
10	OLT-29	OIL LINE	1
11	OLT-30	OIL LINE	1
12	OLT-31	OIL LINE	1
13	H06020FF	20" HOSE	6
14	OH-1	OIL LINE HOLDER	1
15	BAND15	METAL BAND	4
16	OLT-1	OIL LINE	2
17	ZER1805	GREASE FITTING	8
18	H06030FF	30" HOSE	2
19	SLV-1	SELF LEVELING VL.	1
20	OLT-22	OIL LINE	1

REF. NU.	PART NU.	DESCRIPTION	QTY.
21	OLT-23	OIL LINE	1
22	OH-5	OIL LINE HOLDER	1
23	OLT-2	OIL LINE	2

## □ HYDRAULIC CYLINDER & PARTS

REF. NU.	PART NU.	DESCRIPTION	QTY.
30	L-20A	LIFT CYL.	2
31	L-1001A	3" I.D. BARREL	2
32	L-2010	1-3/4" RAM	2
33	G-B	GLAND	2
34	P-B	PISTON	4
35	HJN1614	1" JAM NUT	2
36	HFN1614	1" NUT	4
37	B-5A	BUCKET CYL.	2
38	B-501A	3" I.D. BARREL	2
39	B-510	1-3/4" RAM	2
40	G-E	TAPERED GLAND	2
41	#4CK	REPAIR KIT (ALL)	*

\*CONTAINS: ORINGS, BACK-UP-WASHERS, PISTON RINGS, SNAP RING, & SEAL TO REPAIR 1 CYLINDER.

