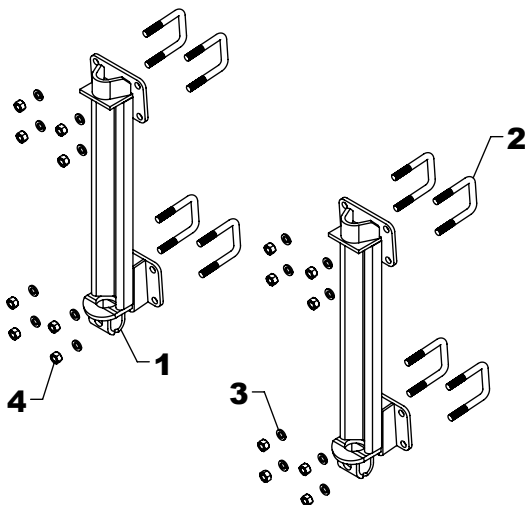


## STACK SAVER I REPLACEMENT PARTS

REF #	PART #	DESCRIPTION	QTY.
1	SS-6AS	FRAME	1
2	SS-8AS	SPEAR PIVOT	1
3	SS-12AS	PUSH OFF PLATE	1
4	SS-13	LINKAGE STRAP	2
5	SS-14	PIVOT PIN	1
6	BUS-65	BUSHING (5 5/16" LONG)	1
7	BUS-66	BUSHING (4 5/16" LONG)	2
8	BS-47	SPEAR	2
9	BS-145	BUSHING (4 1/2" LONG)	2
10	BS-247	NUT	1

REF #	PART #	DESCRIPTION	QTY.
11	BS-248	BALE SPEAR	1
12	CTK0250024	5/32" X 1 1/2" COTTER PIN	2
13	HHS0616056	3/8" X 3 1/2" BOLT	2
14	HHS1011096	5/8" X 6" BOLT	2
15	HHS1011112	5/8" X 7" BOLT	1
16	LWM06	3/8" LOCK WASHER	2
17	HFN0616	3/8" NUT	2
18	LWM10	5/8" LOCK WASHER	3
19	HFN1011	5/8" NUT	3
20	ZER1805	GREASE FITTING	2



## C-3 KIT SNAP-ATTACH™ ADAPTER

REF #	PART #	DESCRIPTION	QTY
1	QC-300AS	BOLT ON ADAPTER	2
2	U-5	U-BOLT (4 1/2" INSIDE LEG)	8
3	LWM10	5/8" LOCK WASHER	16
4	HFN1011	5/8" NUT	16

**NOTE:** C-3 Adapters are standard for Westendorf loaders. Other adapters are available. See instructions for alternate adapters.