

COOL CAP™ STANDARD LOW-PROFILE BRACKET REPLACEMENT PARTS

REF #	PART #	DESCRIPTION	QTY
1	HH-49	MAIN PLATE	1
2	HH-7	CLAMP BAR	2
3	HH-50-R	SMALL COOL CAP ARM (RIGHT)	1
	HH-52-R	LARGE COOL CAP ARM (RIGHT)	1
	HH-152AS-R	EXTRA LARGE COOL CAP ARM (RIGHT)	1
4	HH-50-L	SMALL COOL CAP ARM (LEFT)	1
	HH-52-L	LARGE COOL CAP ARM (LEFT)	1
	HH-152AS-L	EXTRA LARGE COOL CAP ARM (LEFT)	1

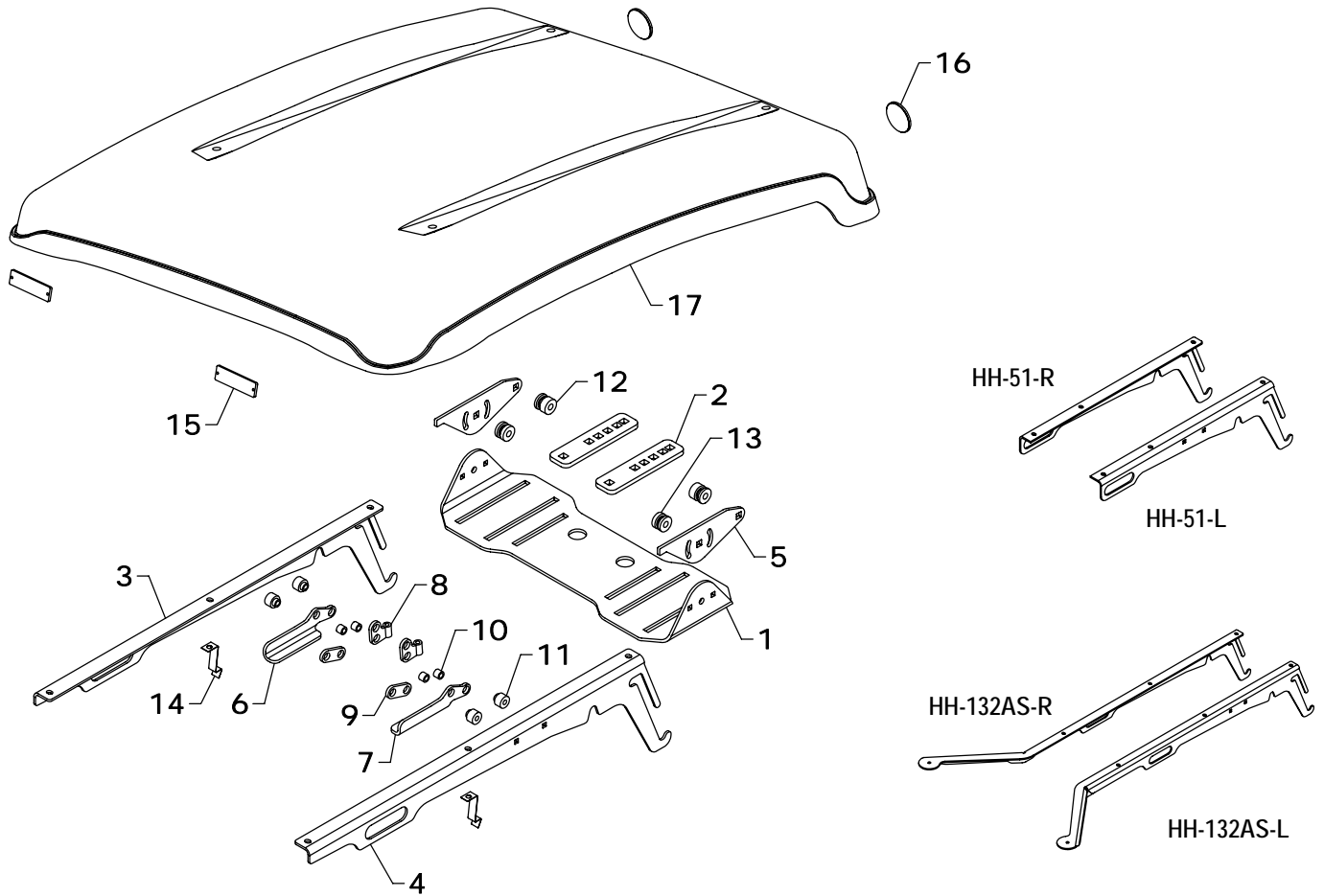
REF #	PART #	DESCRIPTION	QTY
5	HH-13	AMBER REFLECTOR	2
6	HH-14	RED REFLECTOR	2
7	HH-0100	LARGE COOL CAP	*
	HH-0200	EXTRA LARGE COOL CAP	*
	HH-0300	SMALL COOL CAP	*

NOTE: *Specify size and color when ordering.

COOL CAP™ LOW-PROFILE STATIONARY BOLT KIT (BHH-A01)

PART #	DESCRIPTION	QTY
HHS0616020	3/8" X 1 1/4" BOLT	6
CBF0813056	1/2 X 3 1/2 CARRIAGE BOLT	4
CBF0813016	1/2" X 1" CARRIAGE BOLT	4
FWW06	3/8" FLAT WASHER	6

PART #	DESCRIPTION	QTY
LWM08	1/2" LOCKWASHER	8
HTN0616	3/8" LOCK NUT	6
HFN0813	1/2" NUT	8



COOL CAP™ EASY-OFF BRACKET REPLACEMENT PARTS

REF #	PART #	DESCRIPTION	QTY
1	HH-1	MAIN BRACKET	1
2	HH-7	CLAMP BAR	2
3	HH-32-R	LARGE COOL CAP ARM (RIGHT)	1
	HH-51-R	SMALL COOL CAP ARM (RIGHT)	1
	HH-132AS-R	EXTRA LARGE COOL CAP ARM (RIGHT)	1
4	HH-32-L	LARGE COOL CAP ARM (LEFT)	1
	HH-51-L	SMALL COOL CAP ARM (LEFT)	1
	HH-132AS-L	EXTRA LARGE COOL CAP ARM (LEFT)	1
5	HH-33	ADJUSTMENT PLATE	2
6	HH-34-R	HANDLE (RIGHT)	1
7	HH-34-L	HANDLE (LEFT)	1
8	HH-35AS	CLAMP ADJUSTER	2

REF #	PART #	DESCRIPTION	QTY
9	HH-36	CLAMP	2
10	HH-38	HANDLE BUSHING	4
11	HH-39	BUSHING	4
12	HH-40	BUSHING	2
13	HH-41	GUIDE BUSHING	2
14	HH-42	SPRING LOCK	2
15	HH-13	AMBER REFLECTOR	2
16	HH-14	RED REFLECTOR	2
17	HH-0100	LARGE COOL CAP	*
	HH-0200	EXTRA LARGE COOL CAP	*
	HH-0300	SMALL COOL CAP	*

NOTE: *Specify size and color when ordering.

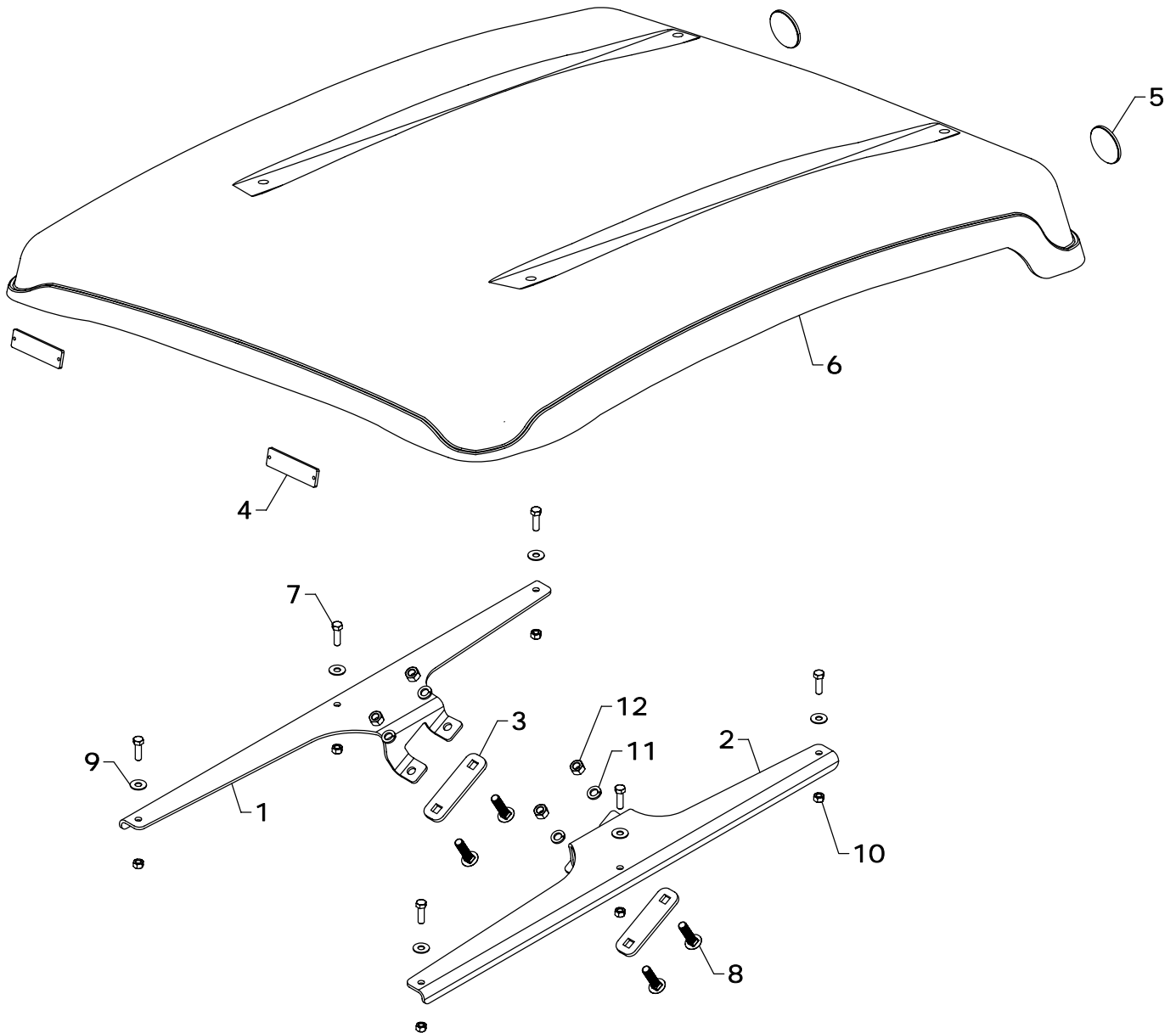
COOL CAP™ BOLT KIT (BHH-A00)

PART #	DESCRIPTION	QTY
HHS0616016	3/8" X 1" BOLT	4
HHS0616020	3/8" X 1 1/4" BOLT	6
CBF0616016	3/8" X 1" CARRIAGE BOLT	4
CBF0616024	3/8" X 1 1/2" CARRIAGE BOLT	4
CBF0813032	1/2" X 2" CARRIAGE BOLT	4
CBF0813056	1/2 X 3 1/2 CARRIAGE BOLT	4

PART #	DESCRIPTION	QTY
AHS0616020	3/8" X 1 1/4" SET SCREW	2
FWW06	3/8" FLAT WASHER	8
FWW08	1/2" FLAT WASHER	4
HTN0616	3/8" LOCK NUT	18
HTN0813	1/2" LOCK NUT	8

WESTENDORFMFG PWB317020

WESTENDORF MFG CO., INC. • PH: (712) 423-2762 • FAX: (712) 423-1460 • sales@westendorfmfg.com • www.loaders.com

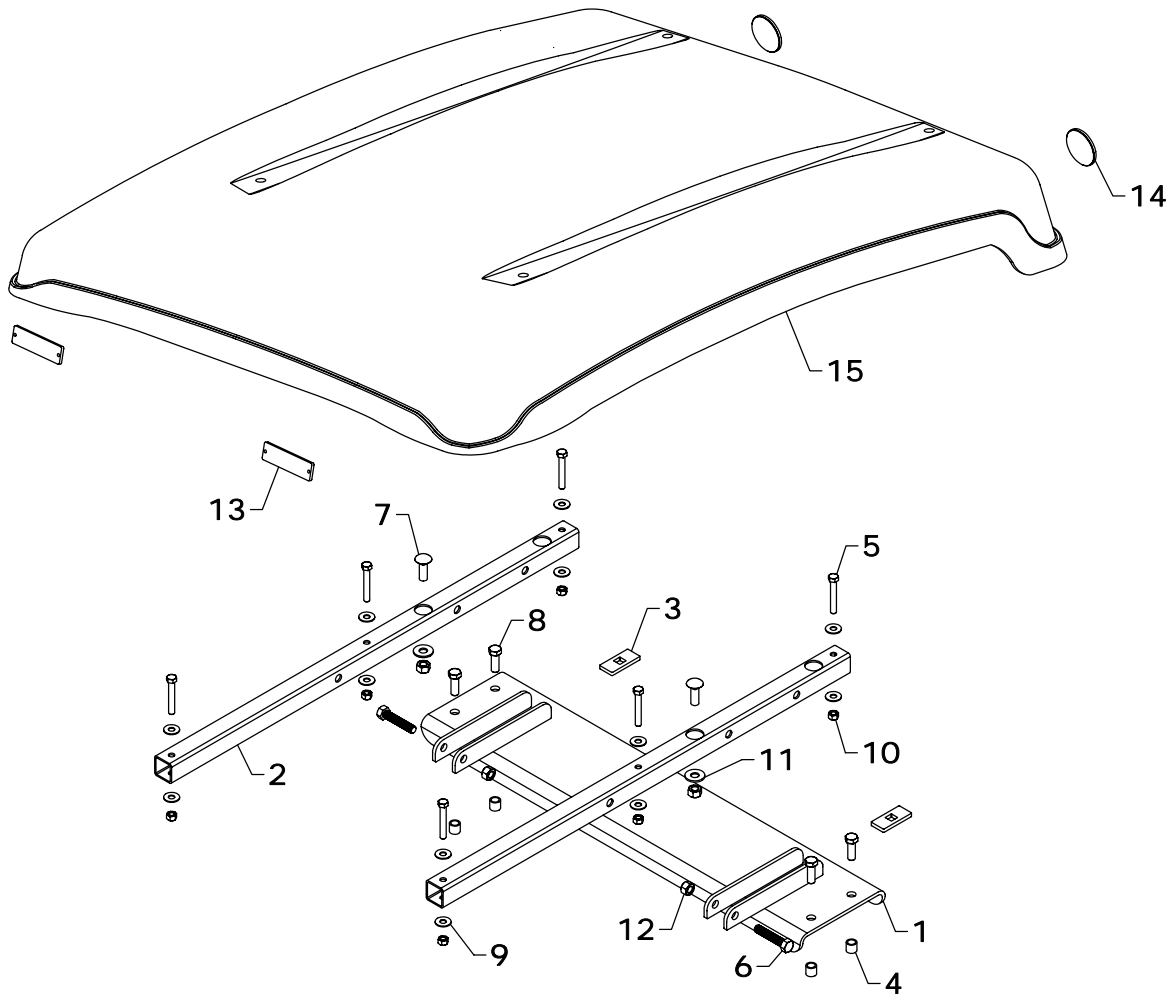


**COOL CAP™ LOW-PROFILE
McCORMICK TRACTOR BRACKET REPLACEMENT PARTS**

REF #	PART #	DESCRIPTION	QTY
1	HH-62-R	COOL CAP ARM (RIGHT)	1
2	HH-62-L	COOL CAP ARM (LEFT)	1
3	HH-63	CLAMP PLATE	2
4	HH-13	AMBER REFLECTOR	2
5	HH-14	RED REFLECTOR	2
6	HH-0100	LARGE COOL CAP	*
	HH-0200	EXTRA LARGE COOL CAP	*

REF #	PART #	DESCRIPTION	QTY
7	HHS0616020	3/8" X 1 1/4" BOLT	6
8	CBF0813032	1/2" X 2" CARRIAGE BOLT	4
9	FWW06	3/8" FLAT WASHER	6
10	HTN0616	3/8" LOCK NUT	6
11	LWM08	1/2" LOCKWASHER	4
12	HFN0813	1/2" NUT	4

*NOTE: *Specify size and color when ordering.*

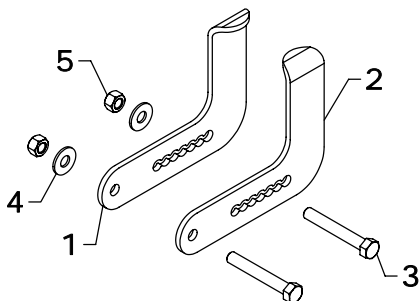


COOL CAP™ LOW-PROFILE SAME TRACTOR BRACKET REPLACEMENT PARTS

REF #	PART #	DESCRIPTION	QTY
1	HH-29AS	MAIN BRACKET PLATE	1
2	HH-3	MOUNTING TUBE	2
3	HH-4	STABILIZER PLATE	2
4	HH-30	SPACER BUSHING	4
5	HHS0616040	3/8" X 2 1/2" BOLT	6
6	HHS0813040	1/2" X 2 1/2" BOLT	2
7	CBF0813024	1/2" X 1 1/2" CARRIAGE BOLT	2
8	MHS1217035	12mm X 35mm - 1.75p BOLT	4
9	FWW06	3/8" FLAT WASHER	12

REF #	PART #	DESCRIPTION	QTY
10	HTN0616	3/8" LOCK NUT	6
11	FWW08	1/2" FLAT WASHER	2
12	HTN0813	1/2" LOCK NUT	4
13	HH-13	AMBER REFLECTOR	2
14	HH-14	RED REFLECTOR	2
15	HH-0100	LARGE COOL CAP	*
	HH-0200	EXTRA LARGE COOL CAP	*
	HH-0300	SMALL COOL CAP	*

NOTE: *Specify size and color when ordering.

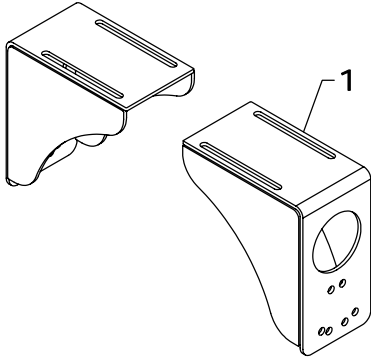


ROPS STOP BRACKET KIT (HH-A06)

REF #	PART #	DESCRIPTION	QTY
1	HH-53-R	ROPS STOP BRACKET (RIGHT)	1
2	HH-53-L	ROPS STOP BRACKET (LEFT)	1
3	HHS0813056	1/2" X 3 1/2" BOLT	2
4	FWW08	1/2" FLAT WASHER	2
5	HFN0813	1/2" NUT	2

WESTENDORFMFG PWB317020

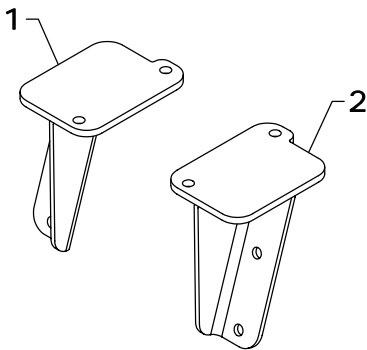
FORD INDUSTRIAL (HH-A01)



REF #	PART #	DESCRIPTION	QTY
1	HH-10AS	MOUNTING BRACKET	2

BOLT KIT: BHH-A01		
PART #	DESCRIPTION	QTY
HHS0813016	1/2" X 1" BOLT	4
HHS0813056	1/2" X 3 1/2" BOLT	6
FWW08	1/2" FLAT WASHER	4
HTN0813	1/2" LOCK NUT	10

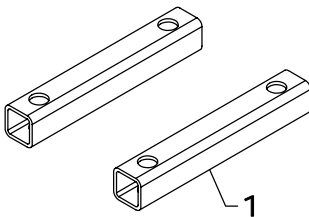
FORD 1900 SERIES (HH-A02)



REF #	PART #	DESCRIPTION	QTY
1	HH-16AS-R	MOUNTING BRACKET (RIGHT)	1
2	HH-16AS-L	MOUNTING BRACKET (LEFT)	1

BOLT KIT: BHH-A02		
PART #	DESCRIPTION	QTY
HHS0813020	1/2" X 1 1/4" BOLT	4
HHS0813072	1/2" X 4 1/2" BOLT	4
FWW08	1/2" FLAT WASHER	4
HTN0813	1/2" LOCK NUT	8

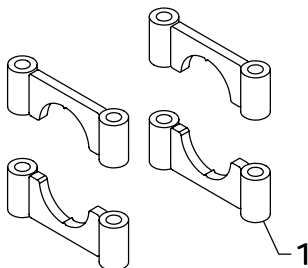
ZETOR 3300 (HH-A03)



REF #	PART #	DESCRIPTION	QTY
1	HH-15	SPACER TUBE	2

BOLT KIT: BHH-A03		
PART #	DESCRIPTION	QTY
CBF0813080	1/2" X 5" CARRIAGE BOLT	4

2 1/2" ROUND ROPS (HH-A04-2.5)

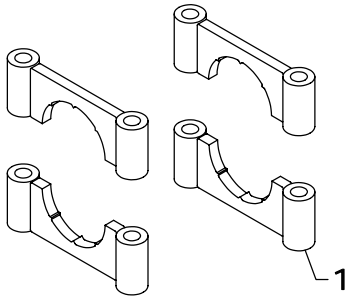


REF #	PART #	DESCRIPTION	QTY
1	HH-25AS	MOUNTING BRACKET	4

BOLT KIT: BHH-A04-2.5		
PART #	DESCRIPTION	QTY
CBF0813080	1/2" X 5" CARRIAGE BOLT	4

WESTENDORFMFG PWB317020

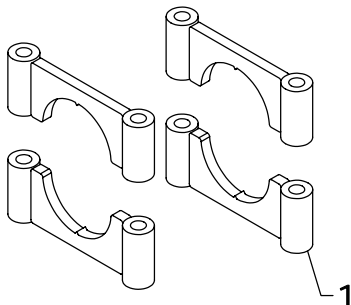
2 3/4" ROUND ROPS (HH-A04-2.75)



REF #	PART #	DESCRIPTION	QTY
1	HH-54AS	MOUNTING BRACKET	4

BOLT KIT: BHH-A04-2.75		
PART #	DESCRIPTION	QTY
CBF0813080	1/2" X 5" CARRIAGE BOLT	4

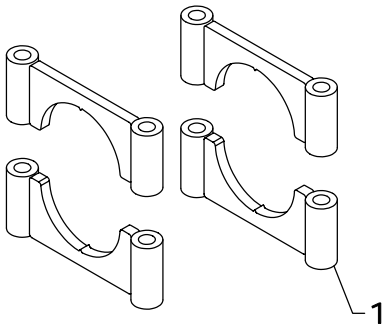
3" ROUND ROPS (HH-A04-3)



REF #	PART #	DESCRIPTION	QTY
1	HH-45AS	MOUNTING BRACKET	4

BOLT KIT: BHH-A04-3		
PART #	DESCRIPTION	QTY
CBF0813096	1/2" X 6" CARRIAGE BOLT	4

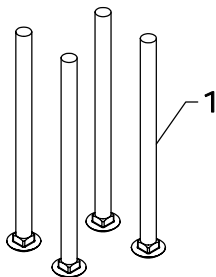
3 1/2" ROUND ROPS (HH-A04-3.5)



REF #	PART #	DESCRIPTION	QTY
1	HH-47AS	MOUNTING BRACKET	4

BOLT KIT: BHH-A04-3.5		
PART #	DESCRIPTION	QTY
CBF0813096	1/2" X 6" CARRIAGE BOLT	4

JOHN DEERE 3" X 6" TUBE (HH-A05)



BOLT KIT: BHH-A05			
REF #	PART #	DESCRIPTION	QTY
1	CBF0813128	1/2" X 8" CARRIAGE BOLT	4