

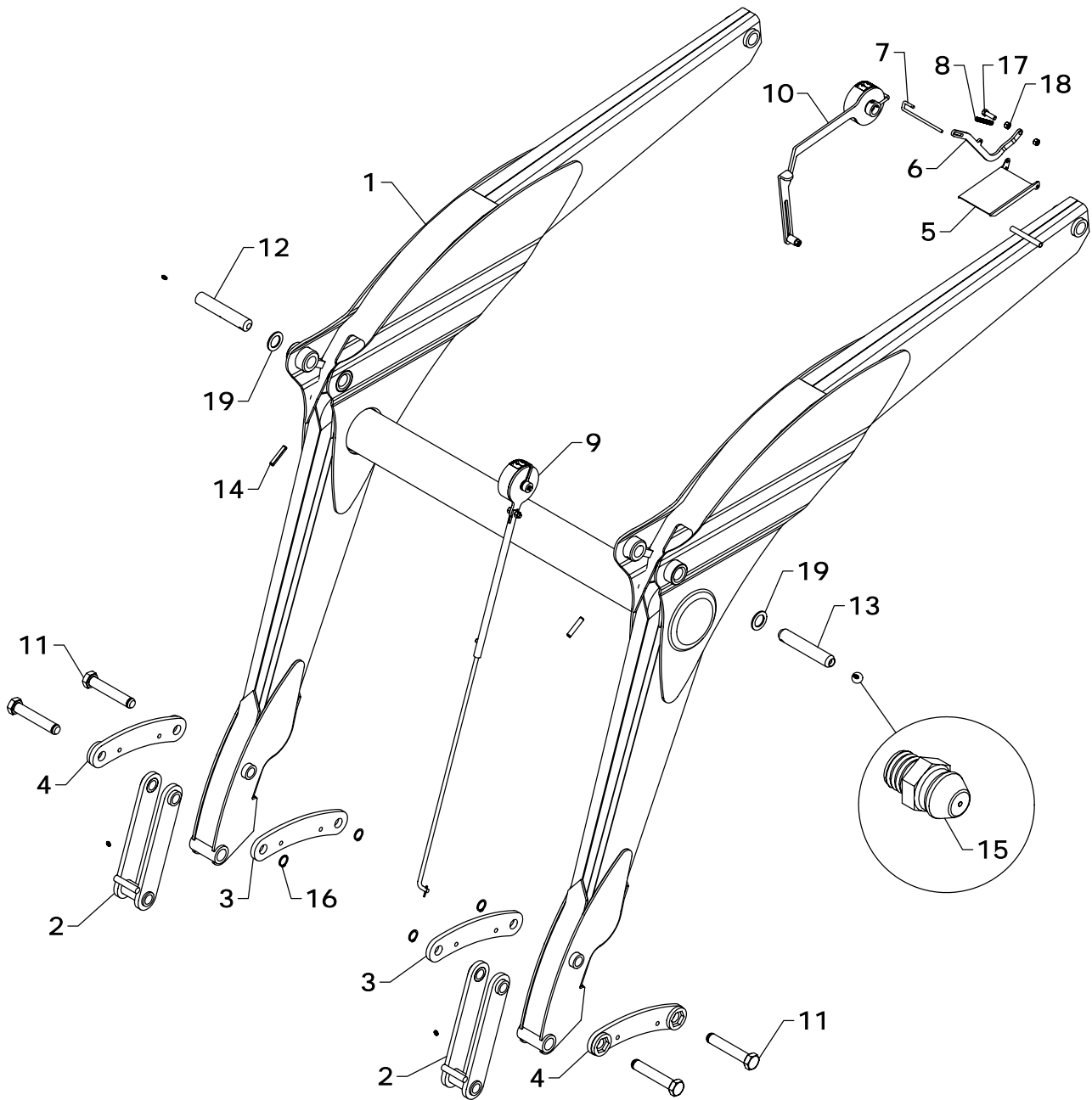
CC-340 LOADER TOWER REPLACEMENT PARTS

REF #	PART #	DESCRIPTION	QTY.
1	SBT-112AS	TOWER	1
2	SBT-125AS	LATCH PLATE	1
3	SBT-30AS	LATCH STOP	1
4	OH-29AS - R	HOSE COVER (RIGHT)	1
5	OH-29AS - L	HOSE COVER (LEFT)	1
6	OH-30	HOSE COVER	1
7	NAT-140	BAR CLAMP BOLT	2
8	XAF-54	LINKAGE PIN	2
9	XAF-154	PIN	2
10	RLP0700036	7/16" ROLL PIN	4
11	ZER1805	GREASE FITTING	4

REF #	PART #	DESCRIPTION	QTY.
12	SBT-20	RUBBER TRIM	2
13	SBT-21	RUBBER TRIM	1
14	SBT-22	RUBBER TRIM	4
15	SBT-23	RUBBER TRIM	2
16	HHS0616016	3/8" X 1" BOLT	2
17	HHS1011040	5/8" X 2 1/2" BOLT	2
18	LWM06	3/8" LOCK WASHER	2
19	FWW10	5/8" FLAT WASHER	1
20	HTN0616	3/8" LOCK NUT	2
21	HTN1011	5/8" LOCK NUT	4

WESTENDORFMFG PWB116190

WESTENDORF MFG CO., INC. • PH: (712) 423-2762 • FAX: (712) 423-1460 • sales@westendorfmfg.com • www.loaders.com



CC-340 LOADER FRAME REPLACEMENT PARTS

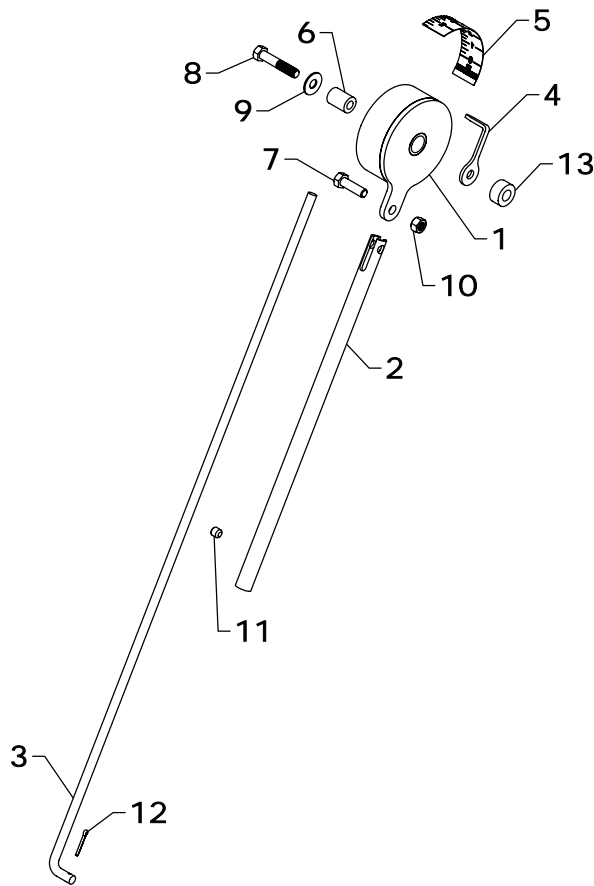
REF #	PART #	DESCRIPTION	QTY.
1	SBF-104AS	FRAME	1
2	SBF-15AS	BUCKET LINKAGE STRAP	2
3	SBF-10	BUCKET LINKAGE	2
4	SBF-10AS	BUCKET LINKAGE	2
5	SBF-66	FLIP FLAG PLATE	1
6	SBF-67	FLIP FLAG ARM	1
7	SBF-68	FLIP FLAG PIVOT SHAFT	1
8	RLG-51	SPRING	1
9	LAC-15-01	ROTATIONAL BUCKET INDICATOR	1
10	LAC-25-02	ROTATIONAL HEIGHT INDICATOR	1

REF #	PART #	DESCRIPTION	QTY.
11	RAF-26	HEX HEAD PIN	4
12	XAF-54	LINKAGE PIN	1
13	XAF-154	PIN	1
14	RLP0700036	7/16" ROLL PIN	2
15	ZER1805	GREASE FITTING	4
16	SR-C08	SNAP RING	4
17	HHS0616020	3/8" X 1 1/4" BOLT	1
18	HTN0616	3/8" LOCK NUT	2
19	SBF-125	SPACER WASHER	2

NOTE: See page 12.10 for LAC-15-01 & LAC-25-02 parts breakdown.

WESTENDORFMFG PWB116190

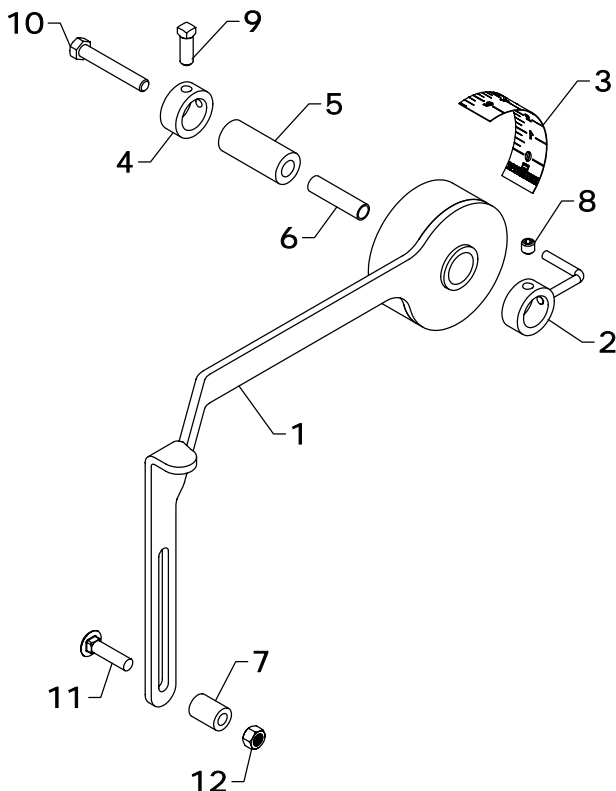
WESTENDORF MFG. CO., INC. • PH:(712) 423-2762 • FAX: (712) 423-1460 • sales@westendorfmfg.com • www.loaders.com



CC-330 & CC-340 ROTATIONAL BUCKET INDICATOR

LAC-15-01			
REF #	PART #	DESCRIPTION	QTY
1	GRD-121AS	BUCKET INDICATOR	1
2	GRD-105	GAUGE ROD HOLDER	1
3	GRD-111	GAUGE ROD	1
4	GRD-123	POINTER	1
5	DE-GRD	DECAL	1
6	LM-4	NYLON BUSHING	1
7	HHS0616020	3/8" X 1 1/4" BOLT	1
8	HHS0616032	3/8" X 2" BOLT	1
9	FWW06	3/8" FLAT WASHER	1
10	HTN0616	3/8" LOCK NUT	1
11	AHS0616006	3/8" X 3/8" ALLEN HEAD SET SCREW	1
12	CTK0200016	1/8" X 1" COTTER KEY	1
13	GRD-131	SPACER	1

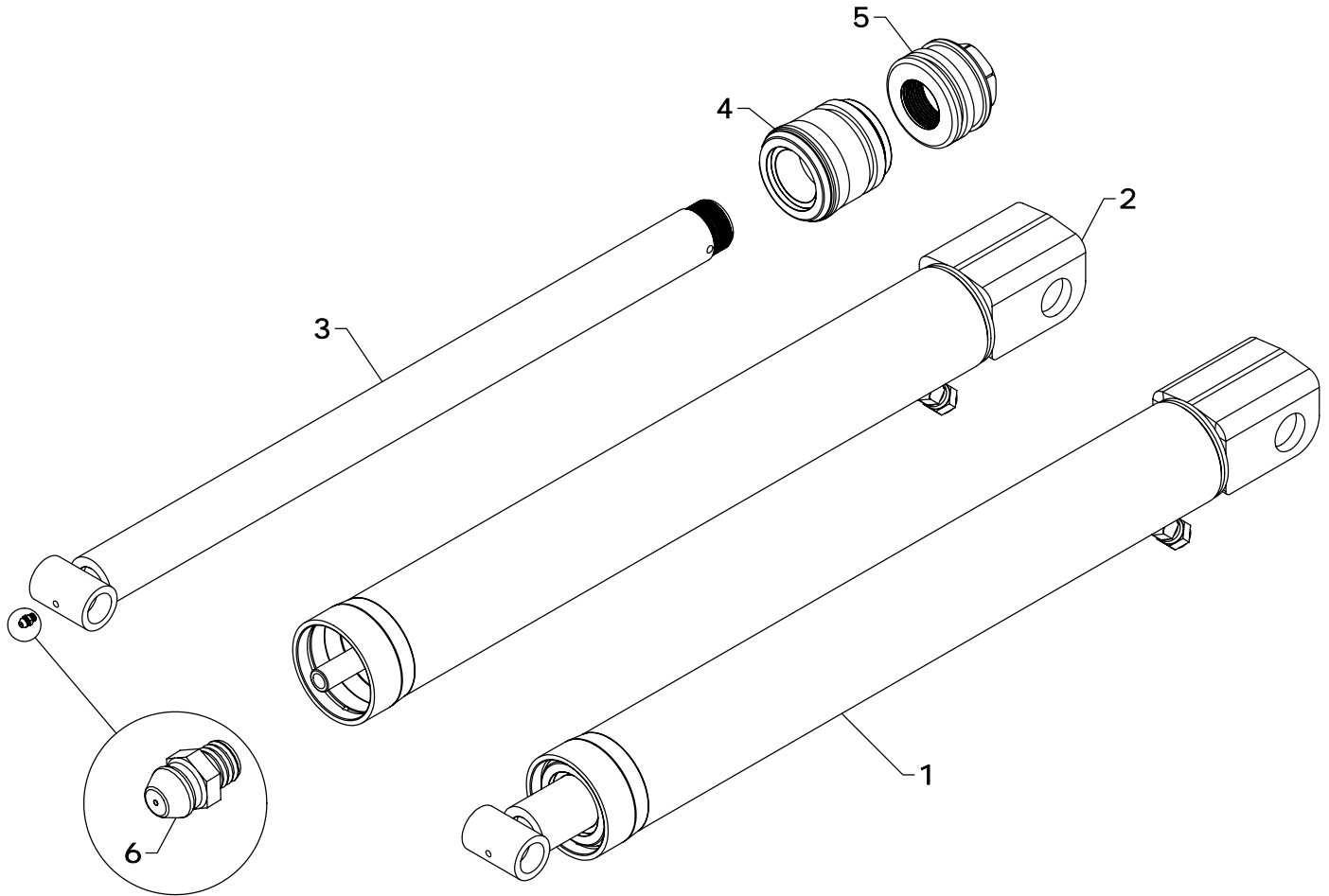
*NOTE: *Order LAC-15-01 when ordering a complete Rotational Bucket Indicator Kit.*



CC-340 ROTATIONAL HEIGHT INDICATOR

LAC-25-02			
REF #	PART #	DESCRIPTION	QTY.
1	GRD-21AS	ROTATIONAL HEIGHT INDICATOR	1
2	GRD-2AS	POINTER	1
3	DE-GRD	DECAL	1
4	BUS-105	BUSHING	1
5	BUS-247	BUSHING	1
6	BUS-107	INSERT BUSHING	1
7	LM-4	NYLON BUSHING	1
8	AHS0616006	3/8" X 3/8" ALLEN HEAD SET SCREW	1
9	SHS0616016	3/8" X 1" SET SCREW	1
10	HHS0616040	3/8" X 2 1/2" BOLT	1
11	CBF0616024	3/8" X 1 1/2" CARRIAGE BOLT	1
12	HTN0616	3/8" LOCK NUT	1

*NOTE: *Order LAC-25-02 when ordering a complete Rotational Height Indicator Kit.*



STEPS TO REPAIR CYLINDER

- 1) Extend the ram out as far as possible.
- 2) At the ram end of the cylinder barrel you will find a snap ring located either on the face of the gland or inside the notch of the gland.
- 3) Locate the snap ring eyes (you may need to turn the gland inside the barrel to find the snap ring eyes). Compress the snap ring with snap ring pliers.
- 4) Remove the ram assembly (ram, gland, & piston) from barrel.
- 5) Notice the direction they are pointing so they can be properly re-assembled.
- 6) Remove the piston and gland from the ram.
- 7) Remove the old seals and rings and replace them with the new seals and rings. (Seal kits are packaged for several different cylinders. You may have extra parts)
- 8) Clean the cylinder with cleaner and a clean lint free cloth.
- 9) Lubricate the seals and rings to aid assembly.
- 10) Assemble the cylinder by reversing the order.

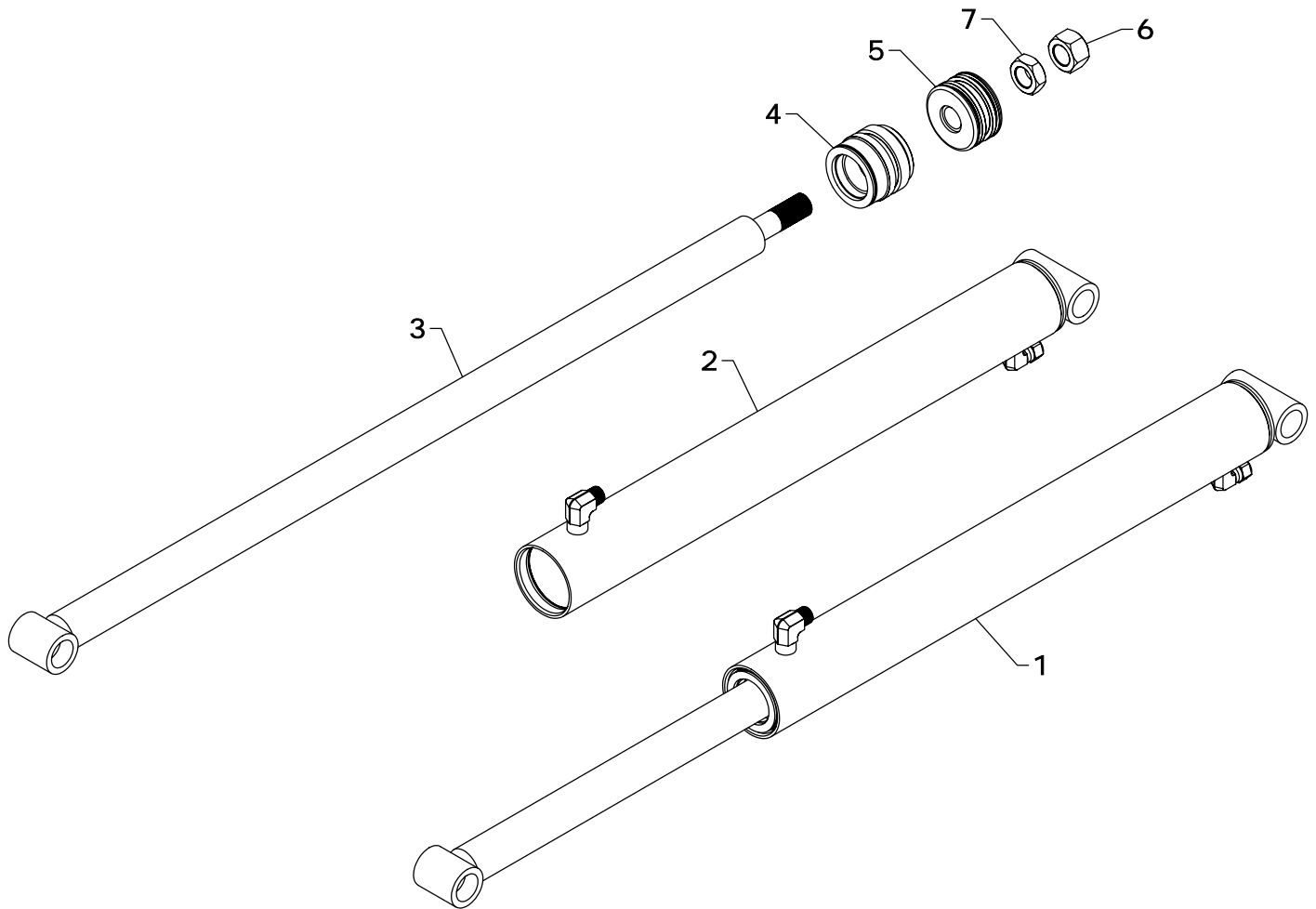
CYLINDER REPAIR TIPS

- When disassembling cylinders, keep the parts in correct orientation. Remove parts in sequence.
- Note the direction of the piston and gland. Lay out old seals and parts as they are removed.
- Assemble cylinder in proper order; lubricate to aid assembly.

CC-330 & CC-340 BUCKET CYLINDER REPLACEMENT PARTS

REF #	PART #	DESCRIPTION	QTY.
1	B-59	BUCKET CYLINDER	1
2	B-5901	BARREL	1
3	B-5910	RAM	1
4	G-W	GLAND	1
5	P-U	PISTON	1
6	ZER1805	GREASE FITTING	1
7	#46CK	REPAIR KIT	*

*NOTE: * Repair kit contains parts to repair one cylinder*



STEPS TO REPAIR CYLINDER

- 1) At the ram end of the cylinder barrel, remove the spiral retaining ring from the top of the gland.
NOTE: The G-E gland does not use the spiral retaining ring.
- 2) Gently drive the gland into the barrel using a brass or non-marring punch until the round retaining ring is visible.
- 3) Remove the round retaining ring using a pair of long nose pliers. Remove the ram assembly (ram, gland, and piston) from the barrel.
- 4) Notice the direction they're pointing so they can be properly re-assembled.
- 5) Remove the jam nut and/or hex nut from the end of the ram.
- 6) Remove the old seals and rings and replace them with the new seals and rings. (Seal kits are packaged for several different cylinders. You may have extra parts)
- 7) Clean cylinder with cleaner and a clean lint free cloth.
- 8) Lubricate the seals and rings to aid assembly.
- 9) Assemble the cylinder by reversing the order.

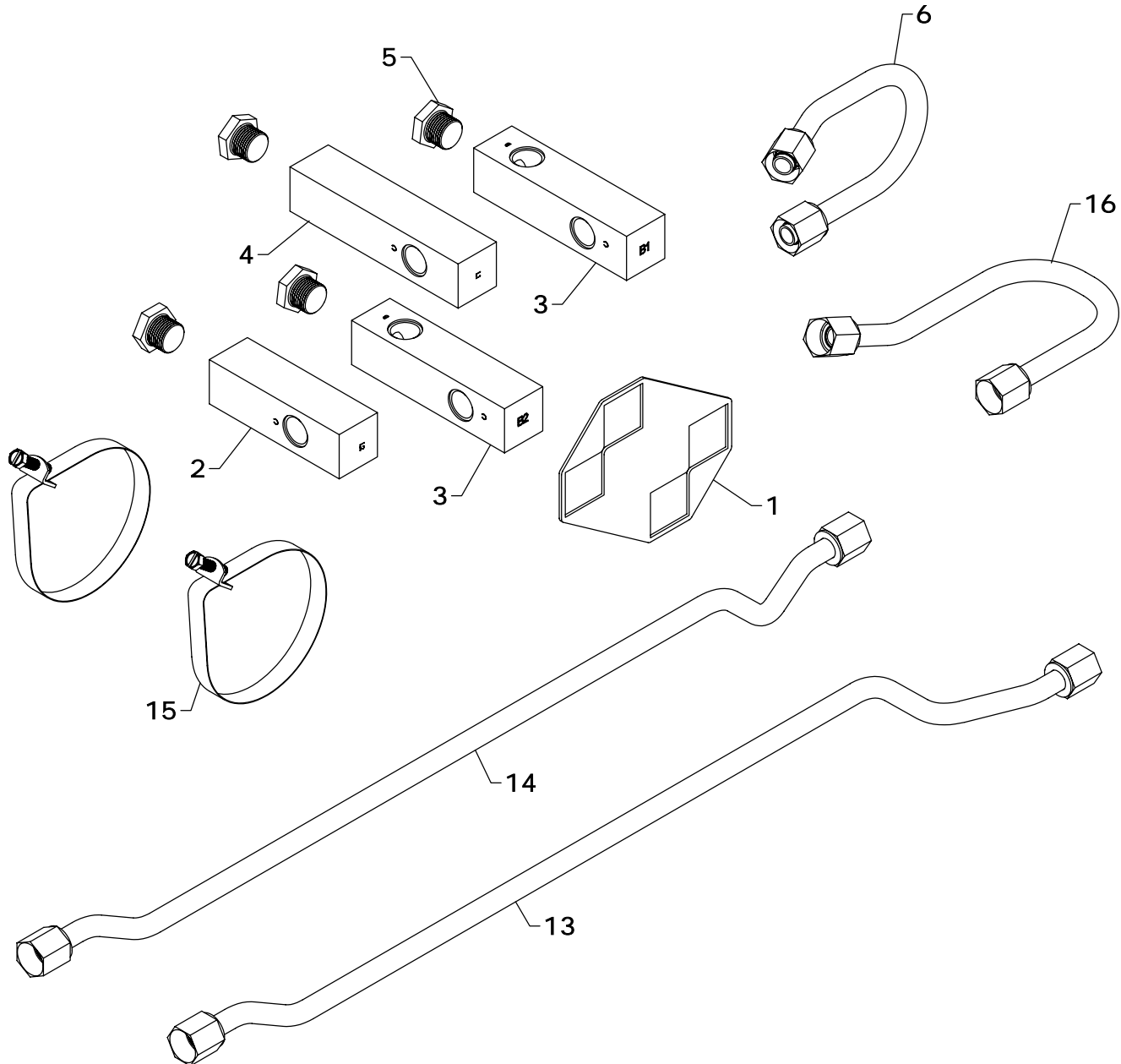
CYLINDER REPAIR TIPS

- When disassembling cylinders, keep the parts in correct orientation. Remove parts in sequence.
- Note the direction of the piston and gland. Lay out old seals and parts as they are removed.
- Assemble cylinder in proper order; lubricate to aid assembly.

CC-340 LIFT CYLINDER REPLACEMENT PARTS

REF #	PART #	DESCRIPTION	QTY.
1	L-44	LIFT CYLINDER	1
2	L-4401	BARREL	1
3	L-4210	RAM	1
4	G-L	GLAND	1
5	P-B	PISTON	1
6	HFN1614	1" NUT	1
7	HJN1614	1" JAM NUT	1
11	#41CK	REPAIR KIT	*

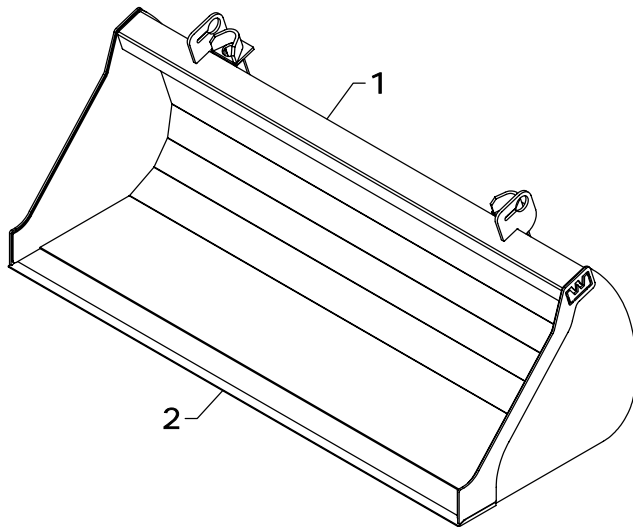
NOTE: * Repair kit contains parts to repair one cylinder



CC-340 MANIFOLD BLOCKS -- OIL LINES AND HYDRAULIC HOSES

REF #	PART #	DESCRIPTION	QTY.
1	VP-82	MANIFOLD PLATE	1
2	VB-17	MANIFOLD BLOCK	1
3	VB-18	MANIFOLD BLOCK	2
4	VB-19	MANIFOLD BLOCK	1
5	PF-PO08	PLUG	4
6	OLT-566	OIL LINE	1
7	H06015-FF	3/8" X 15" HOSE (NOT SHOWN)	2
8	H06015-FB	3/8" X 15" HOSE (NOT SHOWN)	2

REF #	PART #	DESCRIPTION	QTY.
9	H06048-8B	3/8" X 48" HOSE (NOT SHOWN)	4
10	H06075-FB	3/8" X 75" HOSE (NOT SHOWN)	2
11	H06167-FB	3/8" X 167" HOSE (NOT SHOWN)	2
12	H06247-FB	3/8" X 247" HOSE (NOT SHOWN)	2
13	OLT-565	RIGHT OIL LINE	1
14	OLT-564	LEFT OIL LINE	1
15	BAND-15	METAL BAND	2
16	OLT-557	OIL LINE	1



CC-330 & CC-340 BUCKET

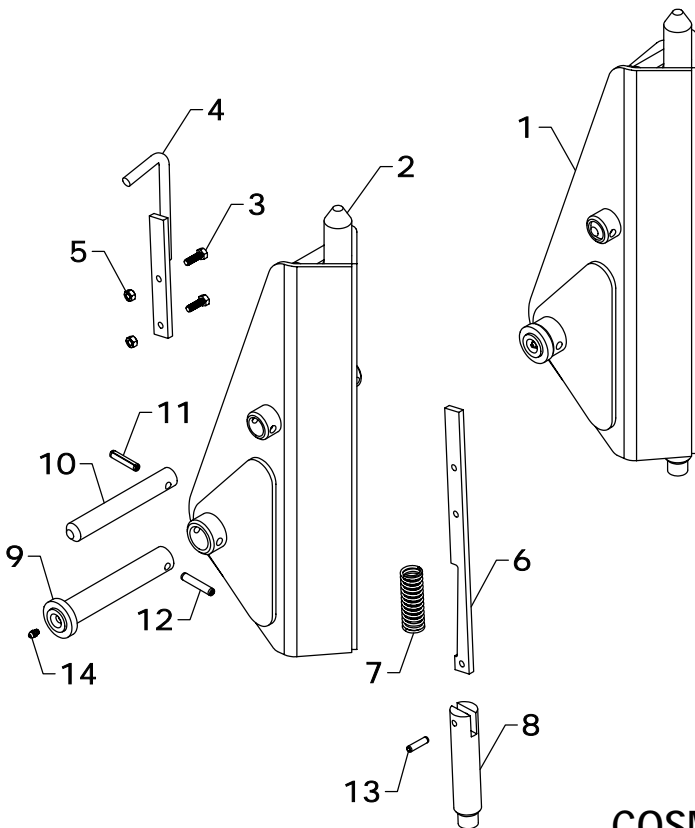
REF #	PART #	DESCRIPTION	QTY.
1	72Q416	72" BUCKET	1
	84Q418	84" BUCKET	1
2	JB-14	72" BLADE	1
	SB-14	84" BLADE	1

NOTE: *Check width of the bucket and use the part number that matches. If your size is not shown, contact Westendorf Mfg. Co.

SNAP-ATTACH™ COUPLER (C-4B)

REF #	PART #	DESCRIPTION	QTY.
1	QC-1201COM	SNAP ATTACH	1
2	QC-1201AS	MALE COUPLER	1
3	HHS0518016	5/16" X 1" BOLT	2
4	QC-6AS	LATCH HANDLE	1
5	HTN0518	5/16" LOCK NUT	2
6	QC-8	LATCH	1
7	QC-12	SPRING	1
8	QC-3	BOTTOM LATCH PIN	1
9	XAF-55AS	LINKAGE PIN	1
10	LF-51	LINKAGE PIN	1
11	DRP0600028	DOUBLE ROLL PIN	1
12	DRP0600032	DOUBLE ROLL PIN	1
13	RLP0500020	5/16" X 1 1/4" ROLL PIN	1
14	ZER1805	GREASE FITTING	1

NOTE: Qty. shows number of parts received if ordered using listed part numbers.
C-4B is two (QC-1201COM) couplers.



COSMETICS

REF #	PART #	DESCRIPTION	QTY.
1	DEC-330	DECAL KIT (CC-330)	1
	DEC-340	DECAL KIT (CC-340)	1
	DEC-360	DECAL KIT (CC-360)	1
2	V-9524-A	BLACK SPRAY PAINT	1
	V-48782-A	ELECTRIC ICE SPRAY PAINT	1

REF #	PART #	DESCRIPTION	QTY.
3	V-9524-P	PINT BLACK PAINT	1
	V-48782-P	PINT ELECTRIC ICE PAINT	1
4	V-9524-Q	QUART BLACK PAINT	1
	V-48782-Q	QUART ELECTRIC ICE PAINT	1
5	V-9524-G	GALLON BLACK PAINT	1
	V-45782-G	GALLON ELECTRIC ICE PAINT	1

NOTE: Warning decals are available at no charge. If they become damaged or missing, order part numbers DE-SS1, DE-WLD4-A, DE-WLD5-A, DE-LD1, DE-PP, DE-QCC.

WESTENDORFMFG PWB116190