

LOADER MEASUREMENTS FOR BRUSH CRUSHER WITH LINKAGES

LOADERS WITHOUT LINKAGE SKIP (E-F-O-P-Q-R)

Date: _____

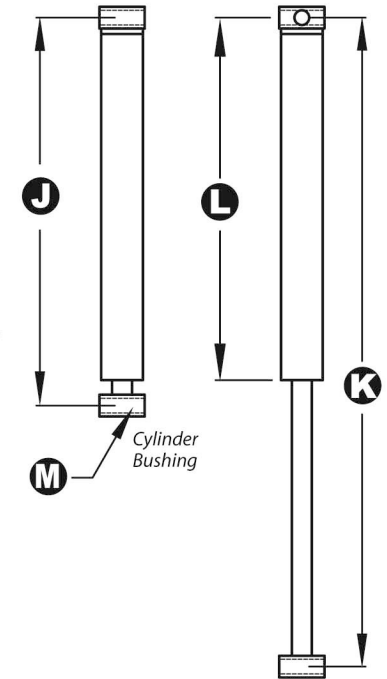
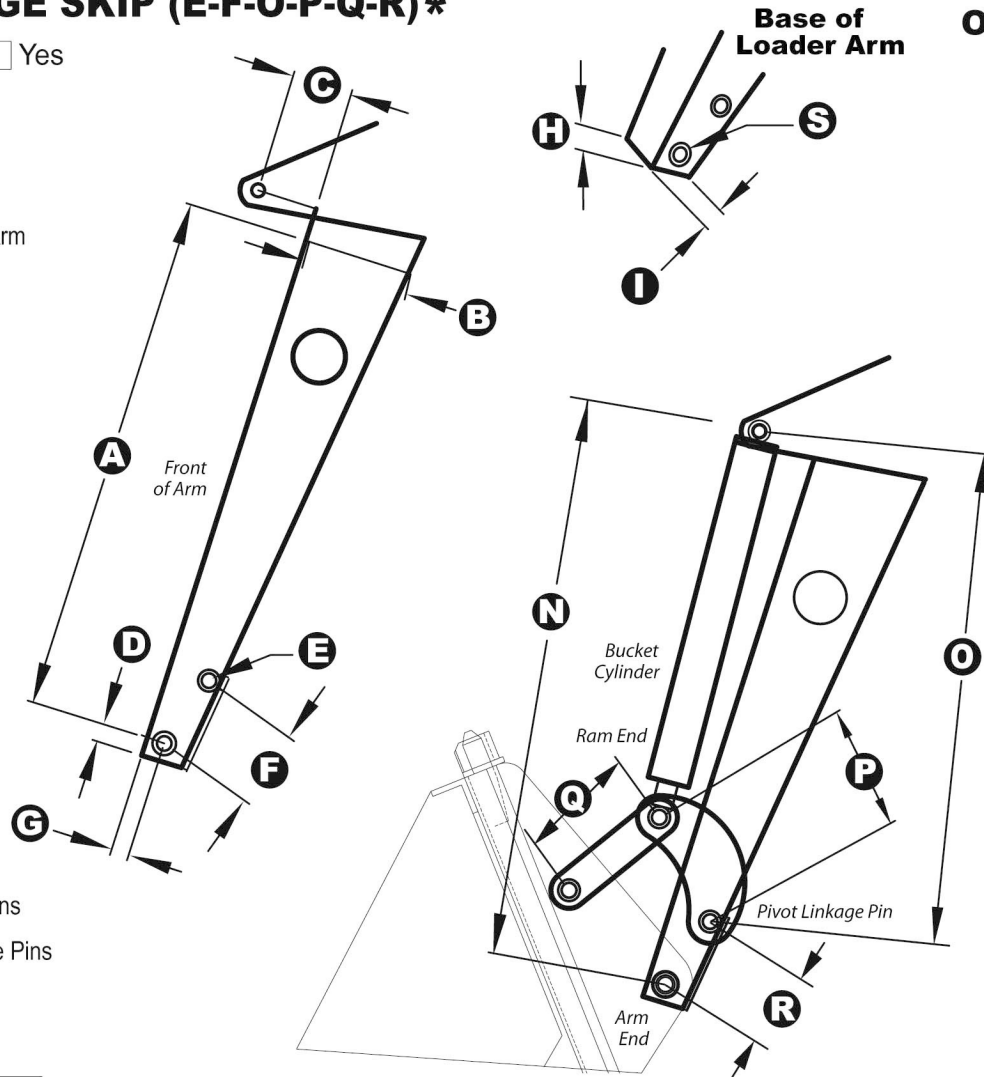
Order #: _____

Is the loader self-leveling? No Yes

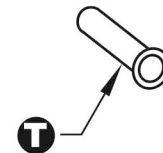
- A** Measure & Mark 90° Line 36" from Center of Pivot Pin to Top of Arm
- B** _____ Measure Depth of the Arm at Line drawn in Step A.
- C** _____ Center of Bucket Cylinder Pin to Front of Arm
- D** _____ Center of Lower Pivot Pin to Arm End
- E*** _____ Length of Bushing
- F*** _____ Center to Center of Pins
- G** _____ Front of Arm to Center of Bushing
- H** _____ Width at Front of Arm
- I** _____ Depth at Front of Arm
- J** _____ Bucket Cyl. Center to Center Closed
- K** _____ Bucket Cyl. Center to Center Open
- L** _____ Bucket Cyl. Center of Pin to End of Barrel
- M1** _____ Length of Cylinder Bushing
- M2** _____ I.D. **M3** _____ O.D.
- N** _____ Base End of Bucket Cylinder Pin to Center of Bucket Pivot
- O*** _____ Base End of Bucket Cylinder Pin to Center of Pivot Bushing
- P*** _____ Center to Center of Pivot Pins
- Q*** _____ Center to Center of Top Bucket Linkage Pins
- R*** _____ Center to Center of Bottom Bucket Linkage Pins
- S1** _____ I.D. **S2** _____ Length of Bushing

T Pin Dimensions

- 1** Arm End Pivot Pin Dia. _____ Length _____
- 2** Bucket Cyl. Ram End Pin Dia. _____ Length _____
- 3** Pivot Linkage Pin Dia. _____ Length _____
- 4** Bucket Cylinder Barrel Outside Diameter at Largest Point _____



Pin Dimensions



Name: _____

Email: _____

Address: _____

Coupler Style : Skid Steer Quick Attach

Phone #: _____ Fax #: _____

Other: _____

Loader Make: _____ Tractor Make: _____

Loader Model: _____ Tractor Model: _____



Phone: 712.423.2762
 Fax: 712.423.1460
 Email Address: sales@westendorfmfg.com