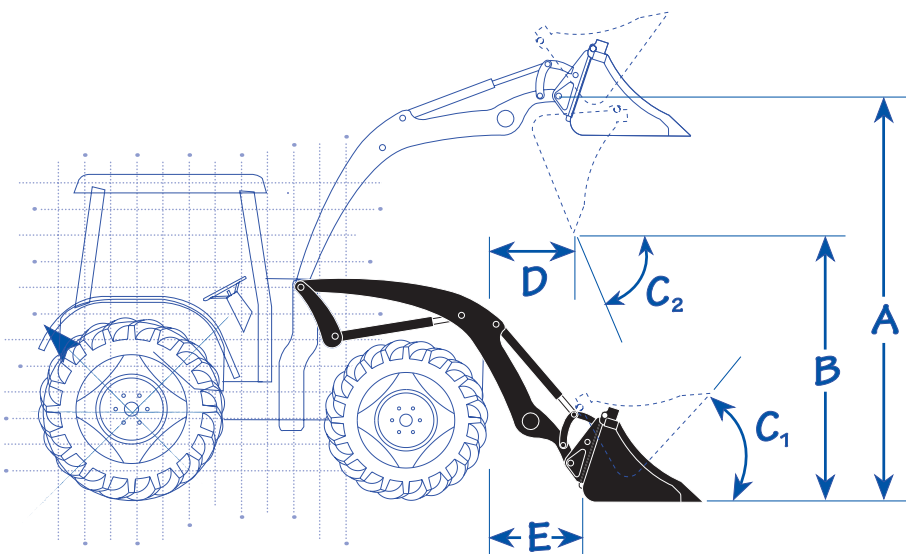


FM-550

SPECIFICATIONS



- A) Lift Height: **168" - 14**
- B) Clearance: **126" - 10'6"**
- C) Bucket Roll Back Angle: **36°**
Bucket Dump Angle: **55°**
- D) Reach at Max Height: **16"**
- E) Reach at Ground Level: **31"**

| | 2800 PSI | 3000 PSI |
|---|----------|----------|
| Lift Capacity - AWC* <small>(31.5" forward from pin)</small> | 3900 | 4180 |
| Lift Capacity - Pivot Pin | 6850 | 7340 |

*AWC - Actual Working Capacity

PACKAGE COMPONENTS

- Freedom-Mount™
- Remote Control Coupler
- Snap-Attach™
- Hose Kit
- Standard Bracket Set
- Heavy Duty Grill Guard
- Hydra-Snap™ Manifold
- Bucket Level Indicator & Height Indicator
- 98" Large Capacity Bucket with Bolt-On Blade
- Plug-n-Play Lineless Hydraulics
- Smart-Pac Cylinders
- Rotational Height & Level Indicators

LOADER SPECIFIC ATTACHMENTS

Loader Upgrades

- 108" Large Capacity Bucket
- 3rd Steel Line with MTD Couplers
- Level Up Advantage
- Comfort Ride

Attachments - Hay Handling

- 2-Prong Bale Spear
- 3-Prong Bale Spear
- 4-Prong Bale Spear
- Stack Saver I & II
- Bale Handler
- Bale Grab
- Squeezer™

Attachments - Material Handling

- Z-47 Feeder Bucket
- Feed Bunk Bucket
- Tine Bucket
- Fork Bucket
- Brush Crusher™
- Brush Crusher™ Finishing Teeth
- Cat Claw 3-D Grab Fork
- Sabertooth for Tine Bucket
- 42" Fork Lift
- 48" Fork Lift
- Extendable Boom

Additional Attachments

- 84"-96" Dozer Blade
- 96" V-Plow
- 96"-120" Snow Scraper
- Snap-Attach™ Adapters - Set (2)
- Snap-Attach™ Synchronizer



WESTENDORF MANUFACTURING CO. INC.

P.O. BOX 29 • ONAWA, IA 51040 • PH: (712) 423-2762 • FAX: (712) 423-1460
Email: sales@westendorfmfg.com Website: www.loaders.com