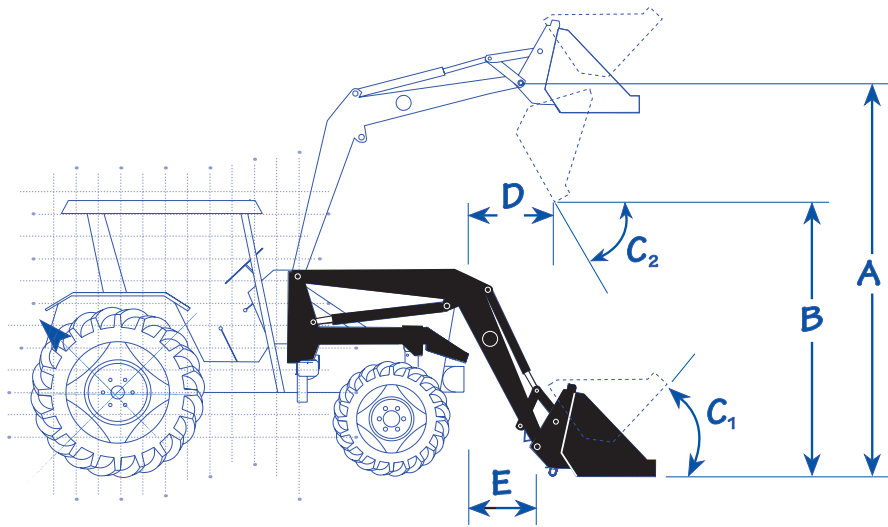


# TA-26 PLUS

## SPECIFICATIONS



- A) Lift Height: **125" - 10'5"**
- B) Clearance: **100" - 8'4"**
- C) Bucket Roll Back Angle: **27°**  
Bucket Dump Angle: **45°**
- D) Reach at Max Height: **31"**
- E) Reach at Ground Level: **19.5"**

	2500 PSI	3000 PSI
Lift Capacity - AWC* <small>(31.5" forward from pin)</small>	3000	3600
Lift Capacity - Pivot Pin	4395	5275

\*AWC - Actual Working Capacity

## PACKAGE COMPONENTS

- Hydraulic Power-Mount™
- Snap-Attach™
- Hose Kit
- Standard Bracket Set
- MA-280 Hydra-Snap™ Manifold
- Rotational Full Range Level Indicator
- 3" Lift Cylinders
- 2-1/2" Bucket Cylinders
- 72" Bucket
- 84" Bucket (opt)
- 72"-84" Skid Steer Buckets & Adapter (opt)

## LOADER SPECIFIC UPGRADES & ATTACHMENTS

### Loader Upgrades

- Add-on Mechanical Self-Leveling
- 3rd Steel Line
- Back Drag Blade
- Rotational Height Indicator
- Under Pressure Manifold
- Hydra-Snap™
- Level UP Advantage
- Comfort Ride

### Speciality Buckets

- High Volume Low Density
- Fork Bucket
- Tine Bucket

### Attachments - Material Handling

- Brush Crusher™
- Brush Crusher™ Finishing Teeth
- Bucket Teeth
- Rake Teeth
- Sabretooth
- Jiffy Monster Grab Fork
- 42" Fork Lift
- 48" Fork Lift
- Extendable Boom

### Attachments - Hay Handling

- Bucket Bale Spear
- 2-Prong Bale Spear
- 3-Prong Bale Spear

### 4-Prong Bale Spear

- Stack Saver I & II
- Bale Handler
- Bale Grab
- Squeezer™

### Additional Attachments

- 84" Dozer Blade
- 96" V-Plow
- 96" Snow Scraper
- Dual Changer Max for bucket
- Snap-Attach™ Adapters - Set (2)
- Snap-Attach™ Synchronizer
- 2'6" Height Extension



**WESTENDORF MANUFACTURING CO. INC.**

P.O. BOX 29 • ONAWA, IA 51040 • PH: (712) 423-2762 • FAX: (712) 423-1460  
Email: sales@westendorfmfg.com Website: www.loaders.com