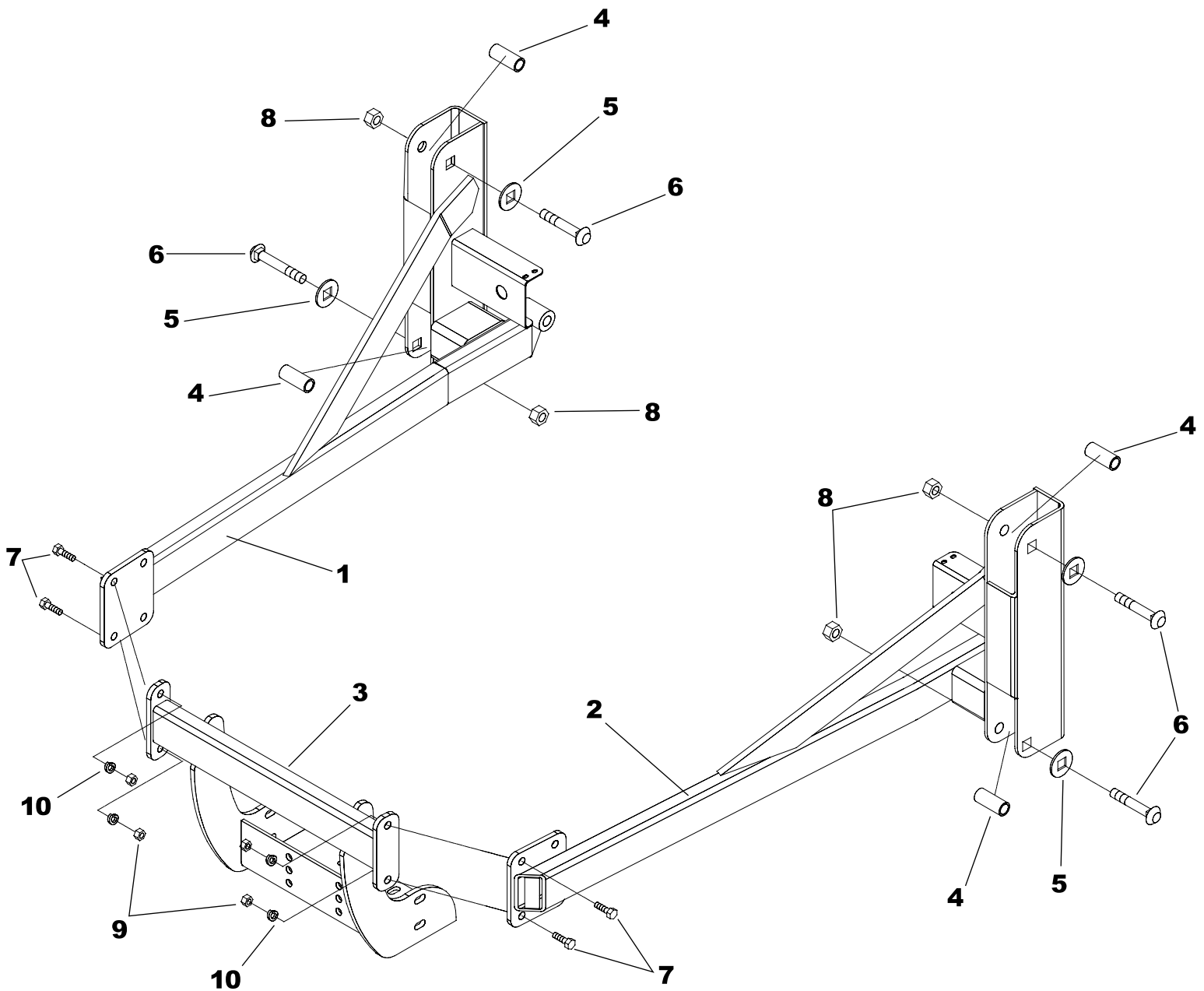


SEE NEXT PAGE FOR TA-54
TOWER COMPONENTS

BASIC TA-54 & TA-55 LOADER REPLACEMENT PARTS

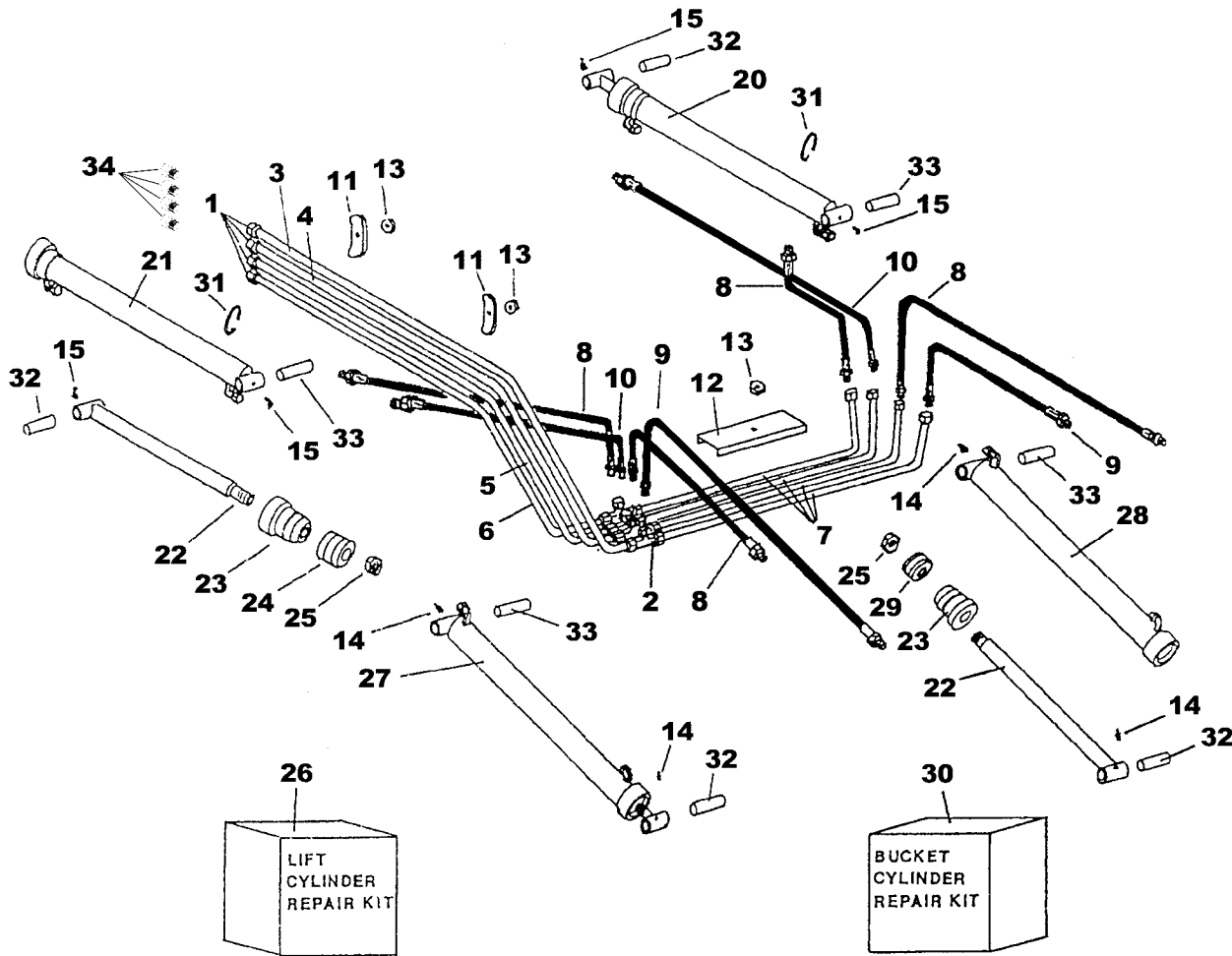
Ref.	Part No.	Description	Qty.	Ref.	Part No.	Description	Qty.
1	MAT-1AS	TOWER	1	10	CTK0200016	COTTER KEY	2
2	MAF-4AS	FRAME ONLY	1	11	ZER1805	GREASE FITTING	4
3	MF-50AAS	GAUGE ROD HOLDER	1	12	CBF1210072	CARRIAGE BOLT	1
4	MF-49AAS	GAUGE ROD	1	13	48P604	48" BUCKET*	-
5	CBF1210064	CARRIAGE BOLT	7		54P605	54" BUCKET*	-
6	HTN1210	3/4" LOCK NUT	12	14	MB-214	48" CUTTING EDGE*	-
7	MF-230A	INSERT BUSHING	4		MAB-314	54" CUTTING EDGE*	-
8	LF-84A	LIFT PIN	2	15	RLB-15	SIDE EDGE	2
9	MF-69AS	GAUGE ROD PIN	2	16	DEC-55	DECAL KIT	1

*Check width of the bucket and use the part number that matches. If you size is not given contact your dealer or Westendorf Mfg. Co.



TA-54 TOWER

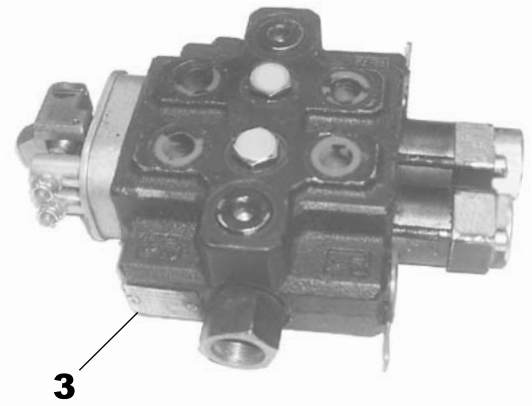
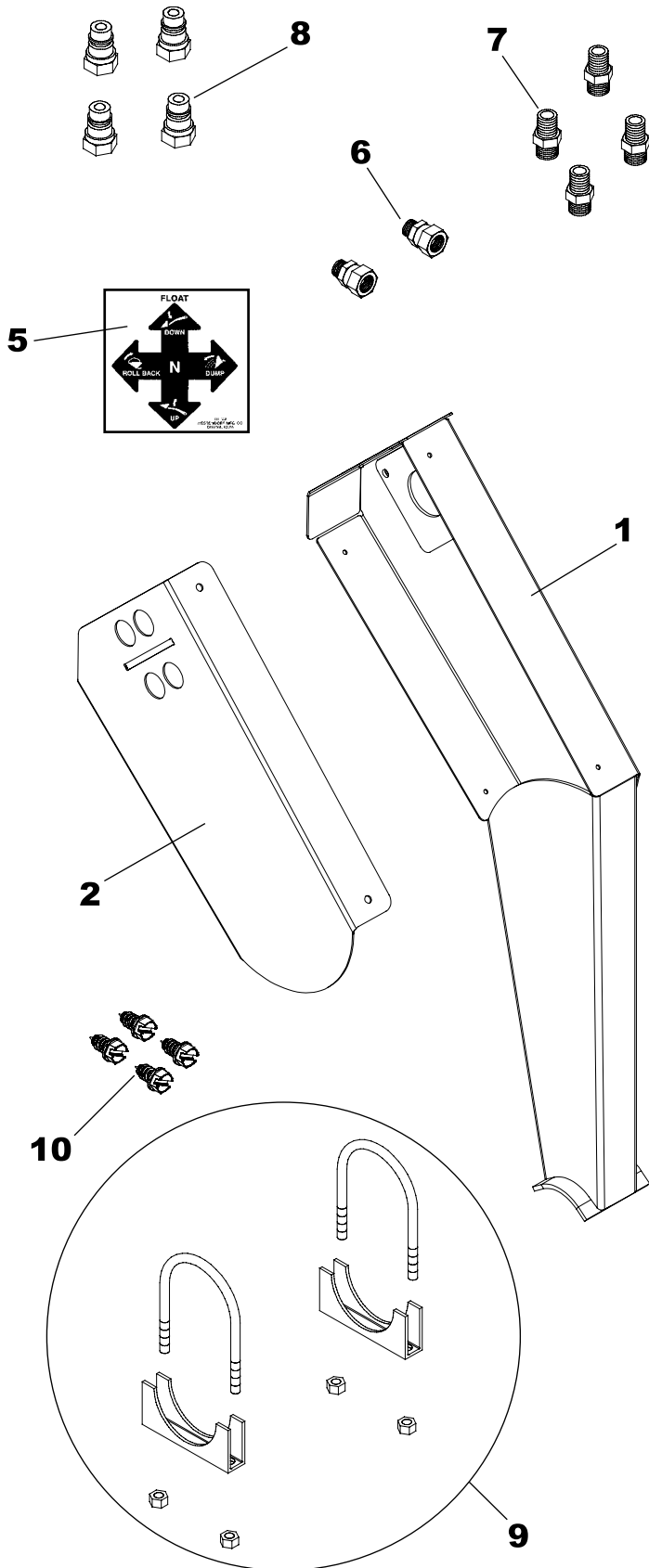
Ref.	Part No.	Description	Qty.	Ref.	Part No.	Description	Qty.
1	MFT-12AAS	TOWER ASSEMBLY (RIGHT)	1	6	CBF1210064	3/4 X 4 CARRIAGE BOLT	4
2	MFT-11AAS	TOWER ASSEMBLY (LEFT)	1	7	HHS0813024	1/2 X 1 1/2 BOLT	4
3	0H041	FRONT WRAP	1	8	HTN1210	3/4 LOCK NUT	4
4	MF-230A	INSERT BUSHING	4	9	HFN0813	1/2 NUT	4
5	MCF-48	SQUARE HEAD WASHER	4	10	LWM08	1/2 LOCKWASHER	4



TA-54 / TA-55 HYDRAULIC LINES AND CYLINDER REPLACEMENT PARTS

Ref.	Part No.	Description	Qty.	Ref.	Part No.	Description	Qty.
1	FN-8	OIL LINE NUT	8	20	L-25	LIFT CYLINDER	2
2	FSBT-8	SWIVEL NUT TEE	4	21	L-2501	LIFT CYLINDER BARREL	2
3	OLT-180	OIL LINE	1	22	L-2510	CYLINDER RAM	4
4	OLT-181	OIL LINE	1	23	G-N	GLAND	4
5	OLT-182	OIL LINE	1	24	P-G	LIFT CYLINDER PISTON	2
6	OLT-183	OIL LINE	1	25	HFN1414	7/8" HEX NUT	4
7	OLT-184	OIL LINE	4	26	#25CK	LIFT SEAL KIT*	-
8	H06020FF	20" HOSE	4	27	B-25	BUCKET CYLINDER	2
9	H06030FF	30" HOSE	2	28	B-2501	BUCKET BARREL	2
10	H06040FF	40" HOSE	2	29	P-F	BUCKET PISTON	2
11	OH-3	OIL LINE HOLDER	2	30	#26CK	BUCKET SEAL KIT*	-
12	OH-11	OIL LINE COVER	1	31	BAND-10	CABLE TIE	2
13	HFN0616	3/8" HEX NUT	3	32	MF-230A	INSERT BUSHING	4
14	ZER1805	GREASE ZERK	4	33	B-1531A	INSERT BUSHING	4
15	ZER523	90° FITTING	4	34	PF-FFC8	FEMALE CONNECTORS	4

NOTE: * Contains O-Ring, Snap Ring, & Seals to repair one cylinder.



KVJ-15 VALVE

Ref.	Part No.	Description	Qty.
1	VP-171-01	VALVE PLATE	1
2	VP-171-02	COVER PLATE	1
3	OC-2NB	VALVE (Vertical Configuration)	1
4	VJ-302COM	HANDLE KIT	1
5	DE-VJ1	DECAL	1
6	PF-OS0806	3/4" X 3/8" SWIVEL ADAPTER	2
7	PF-OA06	9/16" X 3/8" MALE ADAPTER	4
8	LM-110	MALE COUPLER	4
9	EXH-72	EXHAUST CLAMP	2
10	SHW1214008	1/2" SHEET METAL SCREW	4

HOSE PACKAGE FOR BRACKET KIT

Ref.	Part No.	Description	Qty.
	HK-47	HOSE KIT (REPLACES HK-41)	1
	HK-48	HOSE KIT (REPLACES HK-40)	1

NOTE: KIT WILL USE HOSE KIT 47 OR 48 NOT BOTH

MA-26 MANIFOLD

