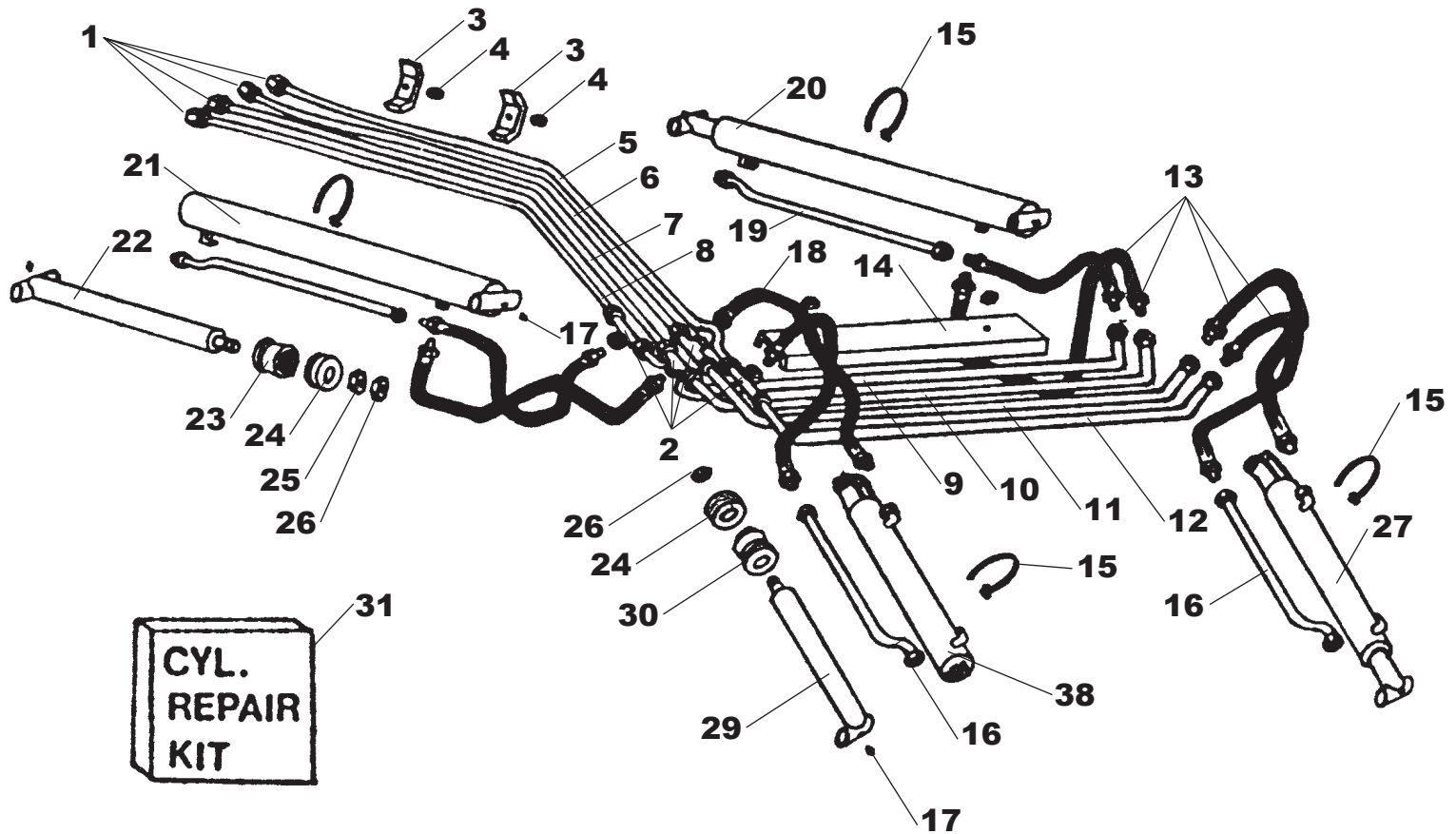


BASIC LOADER REPLACEMENT PARTS

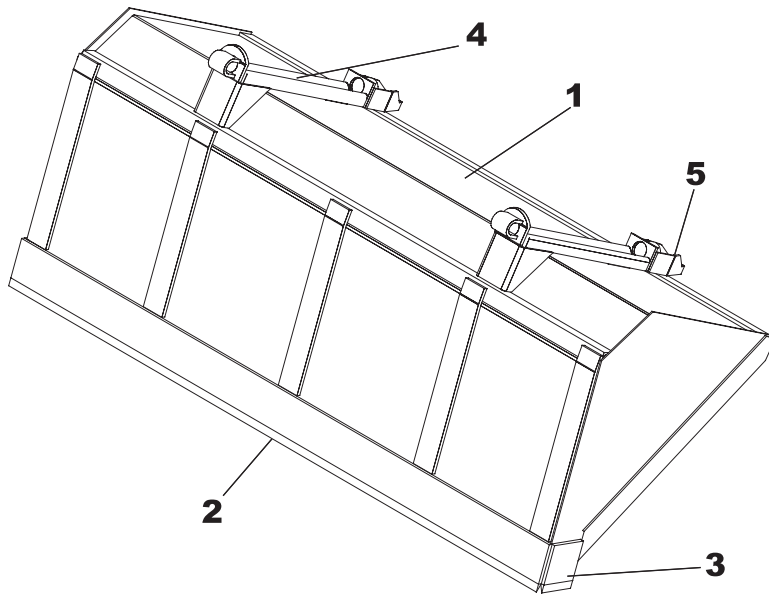
Ref.	Part No.	Description	Qty.	Ref.	Part No.	Description	Qty.
1	GT-1AS	TOWER	1	11	JB-5	BUSHING	-
2	GT-5AS	FLIPPER BAR	2	12	LF-82A	PIN	2
3	NGF-4AS	FRAME (ONLY)	1	13	LF-51A	PIN	2
4	BF-50AAS	GAUGE ROD HOLDER	1	14	BF-60	SPACER WASHER	2
5	LMF-47	GAUGE ROD	1	15	CTK0400032	COTTER KEY	4
6	CBF1011040	5/8" X 2-1/2" CARRIAGE BOLT	2	16	BF-59A	PIN	1
7	JT-20A	PIN	2	17	LF-49A	PIN	1
8	DRP0600028	DOUBLE ROLL PIN	10	18	HTN1011	5/8" LOCK NUT	2
9	ZER1805	GREASE ZERK	6	19	BF-61A	SPACER	1
10	SB-7	1-HOLE BUSHING	-	20	WW-300	ARM END CASTING	4



BASIC LOADER REPLACEMENT PARTS

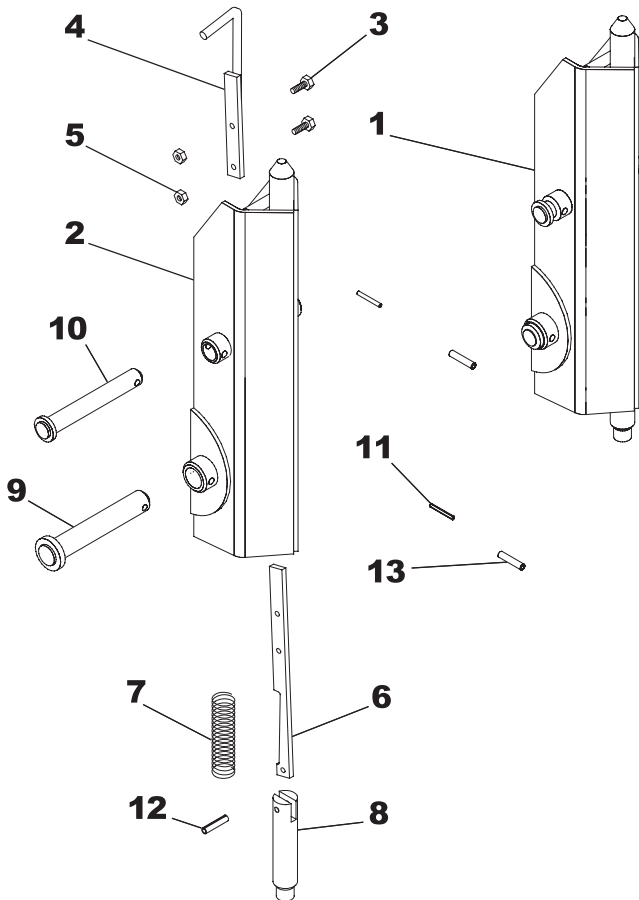
Ref.	Part No.	Description	Qty.	Ref.	Part No.	Description	Qty.
1	PF-FFC8	FEMALE CONNECTOR	4	17	ZER1805	GREASE ZERK	6
2	PF-FSBT8	SWIVEL NUT TEE	4	18	H06030-FF	30" HOSE	1
3	OH-3	OIL LINE HOLDER	2	19	OLT-2	OIL LINE	2
4	HFN0616	3/8" NUT	4	20	L-10	LIFT CYLINDER	2
5	OLT-32	OIL LINE	1	21	L-1001E	3" I.D. BARREL	2
6	OLT-33	OIL LINE	1	22	L-1010B	1 3/4" RAM	2
7	OLT-34	OIL LINE	1	23	G-B	GLAND	2
8	OLT-35	OIL LINE	1	24	P-B	PISTON	4
9	OLT-36	OIL LINE	1	25	HJN1614	1" JAM NUT	2
10	OLT-37	OIL LINE	1	26	HFN1614	1" NUT	4
11	OLT-38	OIL LINE	1	27	B-4	3" BUCKET CYLINDER	2
12	OLT-39	OIL LINE	1	28	B-401B	3" I.D. BARREL	2
13	H06020-FF	20" HOSE	7	29	B-410B	1 3/4" RAM	2
14	OH-1A	OIL LINE HOLDER	1	30	G-E	GLAND	2
15	BAND-15	METAL BAND	4	31	#4CK	CYLINDER REPAIR KIT	*
16	OLT-1A	OIL LINE	2				

*Contains O-Rings, Back-up Washers, Piston Rings, Snap Rings & Seal to repair one cylinder.



BUCKET

Ref.	Part No.	Description	Qty.
1	84Q425	84" BUCKET COMPLETE	*
1	96Q429	96" BUCKET COMPLETE	*
2	SB-14	84" - CUTTING EDGE	*
2	CB-14	96" - CUTTING EDGE	*
3	SB-15	SIDE BLADE	2
4	QC-13AAS	RECEIVER ADAPTOR	2
5	JB-22	ATTACH GUIDE (OPTION)	2



SNAP-ATTACH™ COUPLER (C-5)

Ref.	Part No.	Description	Qty.
1	QC-501BCOM	SNAP ATTACH (COMPLETE)	1
2	QC-501AS	SNAP ATTACH (SHELL)	1
3	HHS0518016	5/16" X 1" BOLT	2
4	QC-6AAS	HANDLE	1
5	HTN0518	5/16" LOCK NUT	2
6	QC-8C	LATCH	1
7	QC-12	SPRING	1
8	QC-3A	PLUNGER	1
9	QC-206AAS	1 1/4" PIN (ROUND HEAD)	1
10	LMF-18AAS	1" PIN	1
11	RLP0350028	7/32" X 1-3/4" ROLL PIN	2
12	RLP0500020	5/16" X 1-1/4" ROLL PIN	1
13	RLP0600028	3/8" X 1-3/4" ROLL PIN	2

Note: Qty. shows the number of parts you will receive if you place an order using these part numbers. C-5 is two (QC-501COM) couplers.

COSMETICS

Ref.	Part No.	Description	Qty.	Ref.	Part No.	Description	Qty.
1	DEC-61	DECAL KIT	1	4	V-5403-Q	QUART RED PAINT	1
2	V-5403-A	RED SPRAY PAINT	1		V-9524-Q	QUART BLACK PAINT	1
	V-9524-A	BLACK SPRAY PAINT	1	5	V-5403-G	GALLON RED PAINT	1
3	V-5403-P	PINT RED PAINT	1		V-9524-G	GALLON BLACK PAINT	1
	V-9524-P	PINT BLACK PAINT	1				

NOTE: Warning decals are available at no charge. If they become damaged or missing, order part number DE-DW, DE-WWW, DE-PP, DE-QCC.