

## TW2014 RUNNING GEAR REPLACEMENT PARTS

REF #	PART #	DESCRIPTION	QTY
1	TW-43COM	REAR AXLE	1
2	HW-42	CENTER REACH PIPE	1
3	PW-1COM	FRONT AXLE	1
4	ECT-20	TONGUE	1
5	HW-61	SAFETY CHAIN	1
6	ET-126	TONGUE CHAIN	1
7	S11	TONGUE SPRING	1

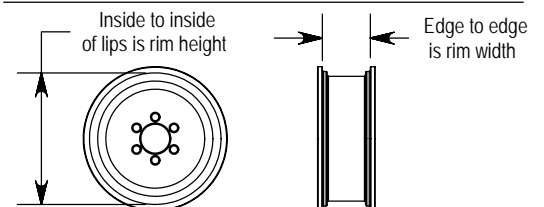
## RUNNING GEAR OPTIONS

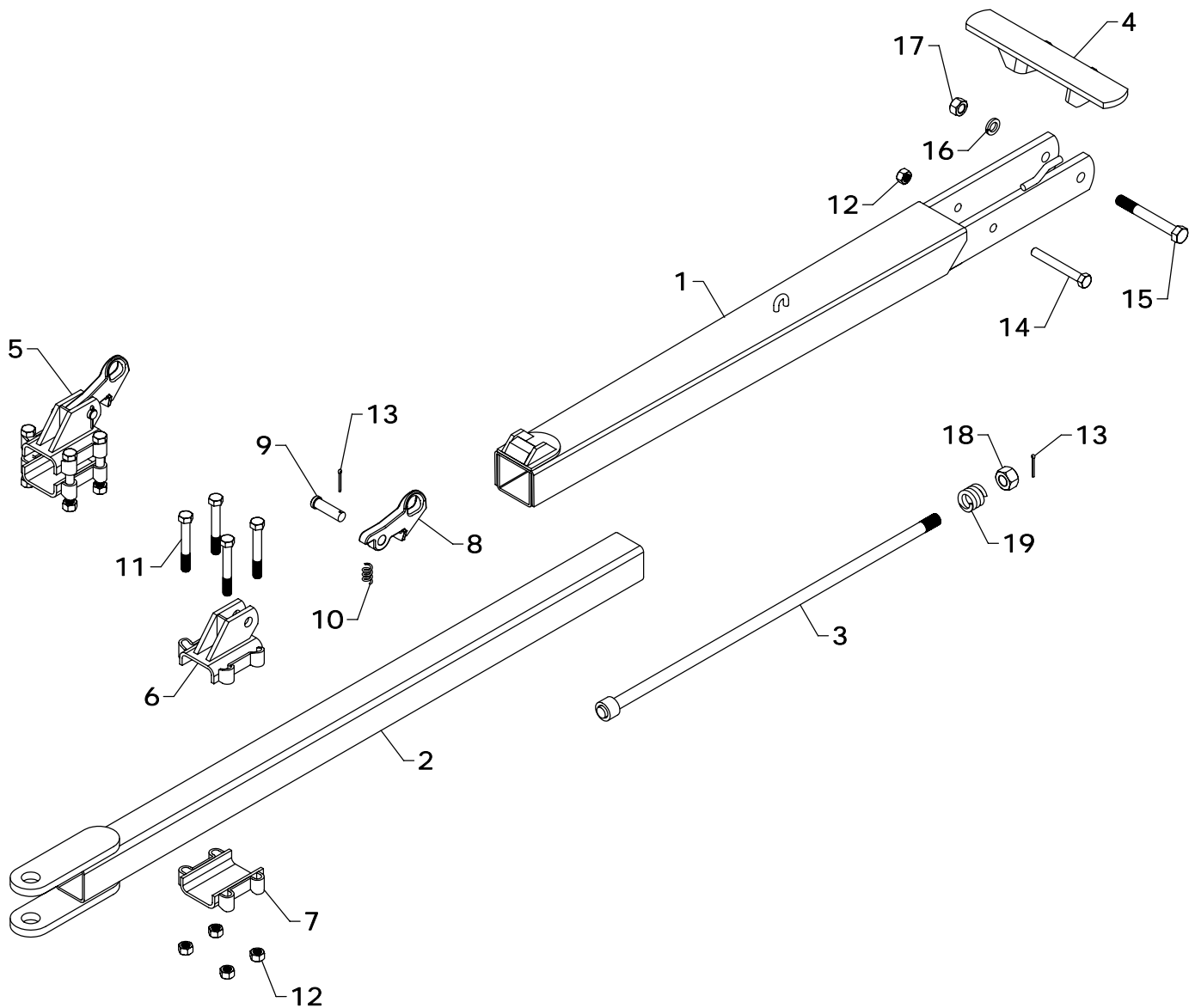
PART #	DESCRIPTION
WAC-201	STAKE ACCESSORY SET
WAC-202	STAKE AND HINGE ACCESSORY SET
Select ONE optional WAC SET at the time of purchase	
BOS-20	BOLSTER ACCESSORY SET
BOS-124	DROP DOWN BOLSTER ACCESSORY SET

## RIMS SIZE

15.0 X 10
16.0 X 10
16.1 X 11
20.0 X 8
16.1 X 14
22.5 X 8.5
22.5 X 13.5 - 1 13/16

## HOW TO MEASURE A RIM

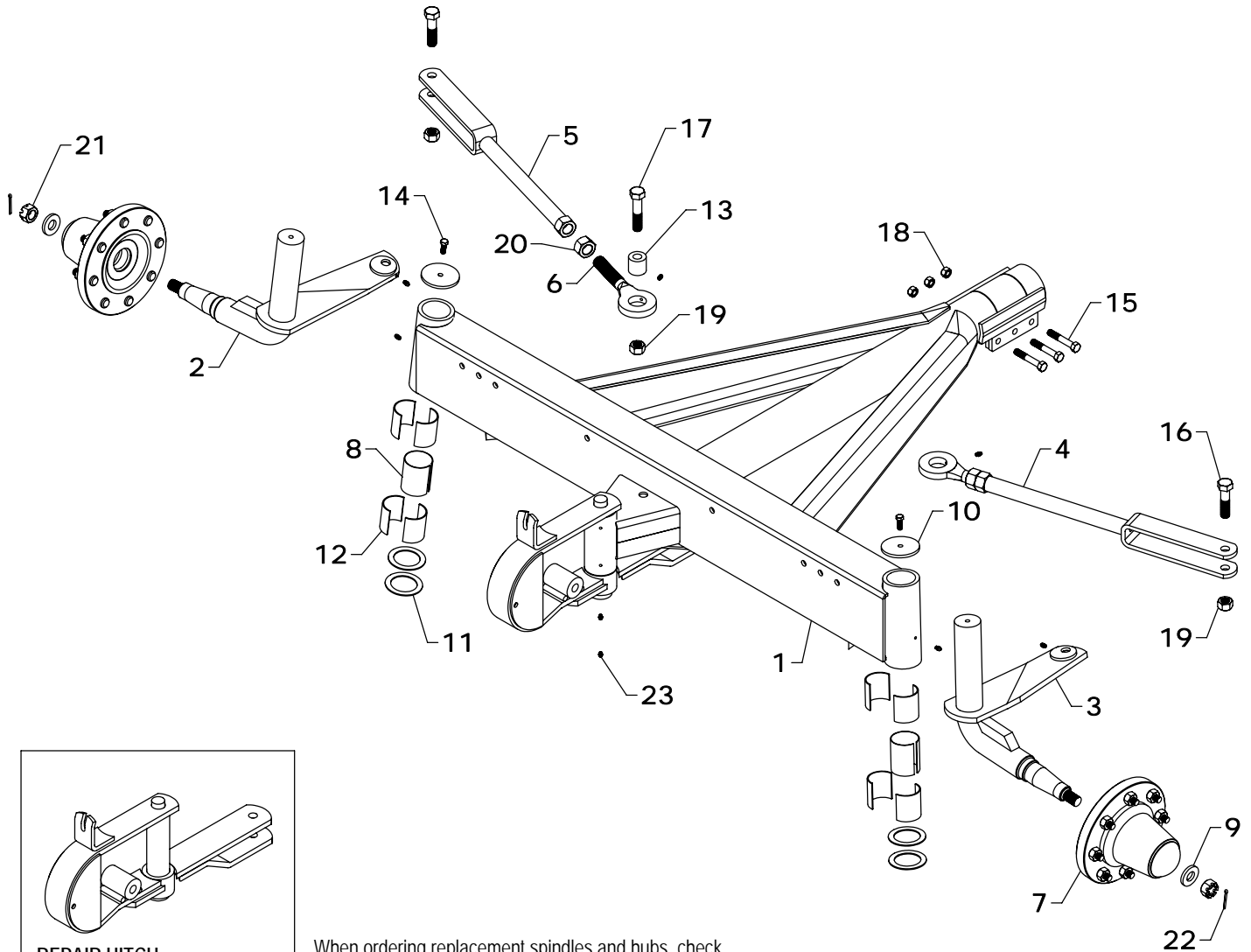




## TW2014 TONGUE REPLACEMENT PARTS

REF #	PART #	DESCRIPTION	QTY
1	ET-117AS	REAR TONGUE	1
2	ET-105AS	FRONT TONGUE	1
3	ET-31AS	SAFETY ROD	1
4	ET-55AS	TONGUE STOP	1
5	ET-170COM	TONGUE HOOK COMPLETE	1
6	ET-170AS	TONGUE CLAMP (TOP)	1
7	ET-170SUB	TONGUE CLAMP (BOTTOM)	1
8	ET-66	STEEL "HOOK"	1
9	CLP1200040	3/4" X 2 1/2" CLEVIS PIN	1
10	S3	SPRING	1

REF #	PART #	DESCRIPTION	QTY
11	HHS1011072	5/8" X 4 1/2" BOLT	4
12	HTN1011	5/8" LOCK NUT	5
13	CTK0250024	5/32" X 1 1/2" COTTER PIN	2
14	HHS1011080	5/8" X 5" BOLT	1
15	HHS1210096	3/4" X 6" BOLT	1
16	LWM12	3/4" LOCK WASHER	1
17	HFN1210	3/4" NUT	1
18	HFN1414	7/8" NUT	1
19	S1	SPRING	1



**REPAIR HITCH  
PW-18COM (INCLUDES PIN)**

When ordering replacement spindles and hubs, check measurements and numbers on these items for possible differences in your wagon and this years model.

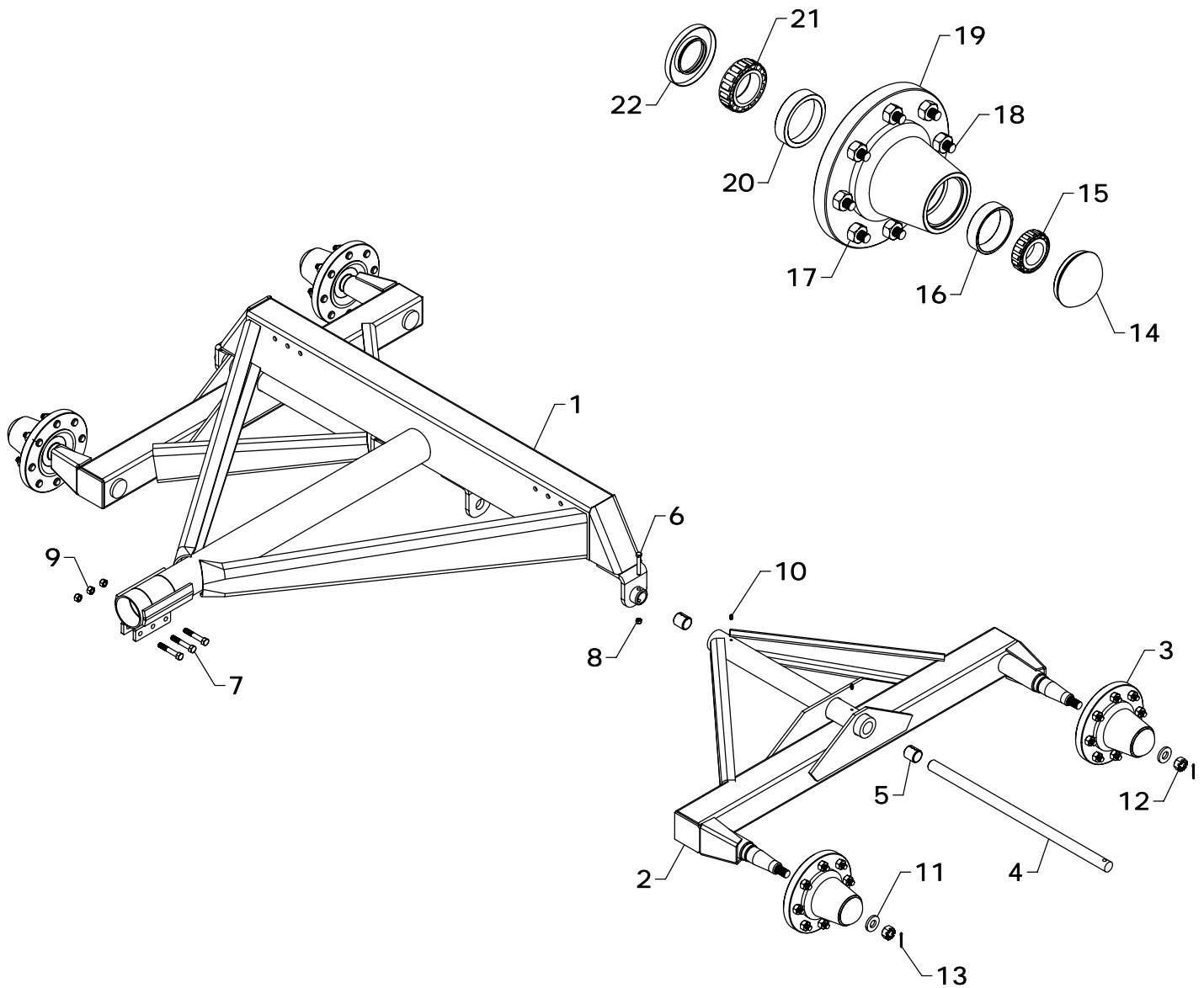
## TW2014 FRONT AXLE REPLACEMENT PARTS

REF #	PART #	DESCRIPTION	QTY.	REF #	PART #	DESCRIPTION	QTY.
1	PW-1AS	FRONT AXLE	1	13	HW-39	BUSHING	1
2	PW-125COM-R	SPINDLE COMPLETE (RIGHT)	1	14	HHS0616016	3/8" X 1" BOLT	2
3	PW-125COM-L	SPINDLE COMPLETE (LEFT)	1	15	HHS0813048	1/2" X 3" BOLT	3
4	PW-42COM	TIE ROD COMPLETE	1	16	HHS1210048	3/4" X 3" BOLT	2
5	PW-42AS	TIE ROD	1	17	HHS1210056	3/4" X 3 1/2" BOLT	1
6	AW-38	TIE ROD END	1	18	HTN0813	1/2" LOCK NUT	3
7	WW-20COM	HUB COMPLETE	2	19	HTN1210	3/4" LOCK NUT	3
8	PW-13	LINER SPINDLE BUSHING	2	20	HFN1614	1" NUT	1
9	PW-26	HUB WASHER	2	21	HSN1414	7/8" SLOTTED NUT	2
10	PW-31	SPINDLE WASHER	2	22	CTK0250024	5/32" X 1 1/2" COTTER PIN	2
11	PW-92	THRUST WASHER	4	23	ZER1805	GREASE FITTING	8
12	PW-93	SPINDLE BUSHING	8				

*NOTE: Replacement spindle contains spindle, slotted nut, and grease fitting. Replacement tie rod contains tie rod, tie rod end, nut, and grease fitting.*

WESTENDORFMFG PWB217020

WESTENDORF MFG. CO., INC. • PH: (712) 423-2768 • FAX: (712) 423-1460 • sales@westendorfmfg.com • www.loaders.com

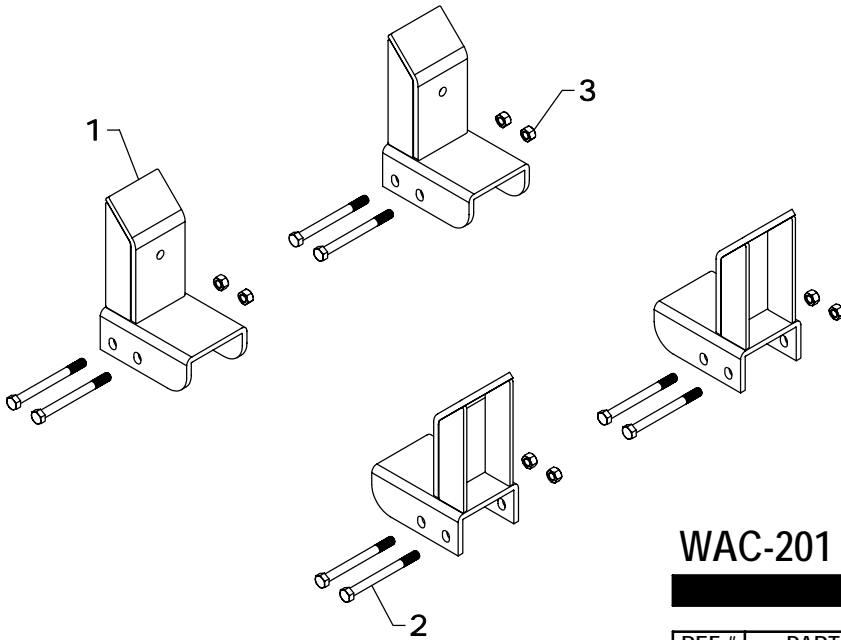


## TW2014 REAR AXLE REPLACEMENT PARTS

REF #	PART #	DESCRIPTION	QTY.
1	TW-43AS	REAR AXLE	1
2	TW-6AS	AXLE	2
3	WW-20COM	HUB COMPLETE	4
4	TW-5	CROSS SHAFT	2
5	LW-32	INSERT BUSHING	4
6	HHS0616040	3/8" X 2 1/2" BOLT	2
7	HHS0813048	1/2" X 3" BOLT	3
8	HTN0616	3/8" LOCK NUT	2
9	HTN0813	1/2" LOCK NUT	3
10	ZER1805	GREASE FITTING	4
11	PW-26	HUB WASHER	4
12	HSN1414	7/8" SLOTTED NUT	4
13	CTK0250024	5/32" X 1 1/2" COTTER PIN	4

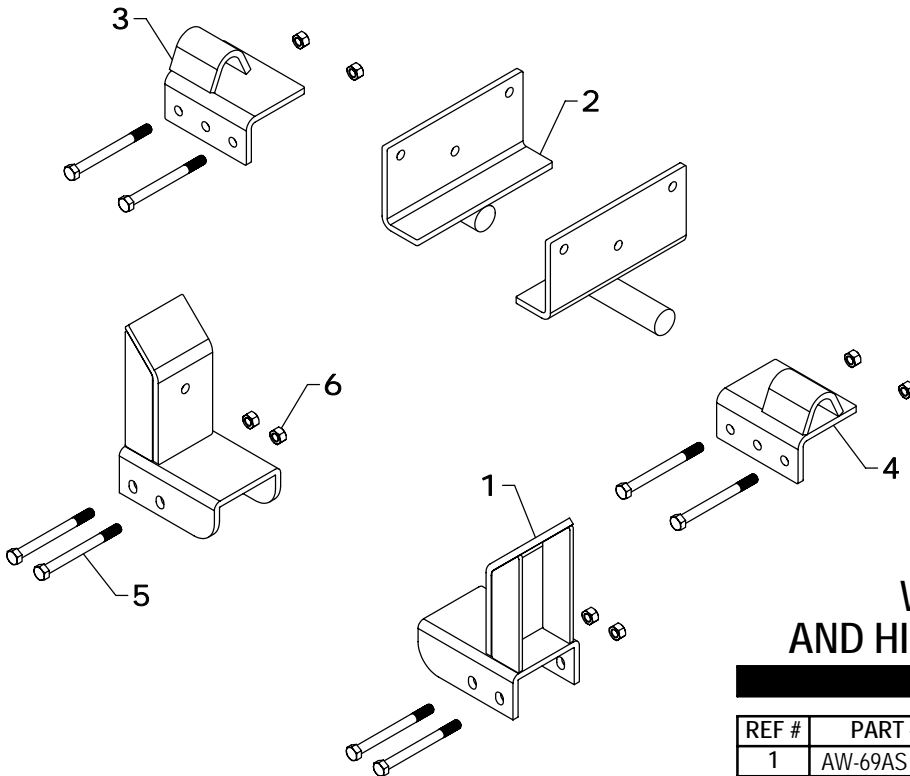
WW-20COM HUB REPLACEMENT PARTS			
REF #	PART #	DESCRIPTION	QTY
14	615126	HUB CAP	1
15	AW-877	OUTSIDE BEARING	1
16	AW-821	OUTSIDE BEARING CUP	1
17	916WN	WHEEL NUT	8
18	916WB	WHEEL BOLT	8
19	WW-20	HUB	1
	WW-20RB	HUB	1
20	AW-520	INSIDE BEARING CUP	1
21	AW-590	INSIDE BEARING	1
22	AW-726	GREASE SEAL	1

*NOTE: WW-20RB contains hub, inside/outside bearing cups, nuts and bolts.*



## WAC-201 STAKE ACCESSORY SET

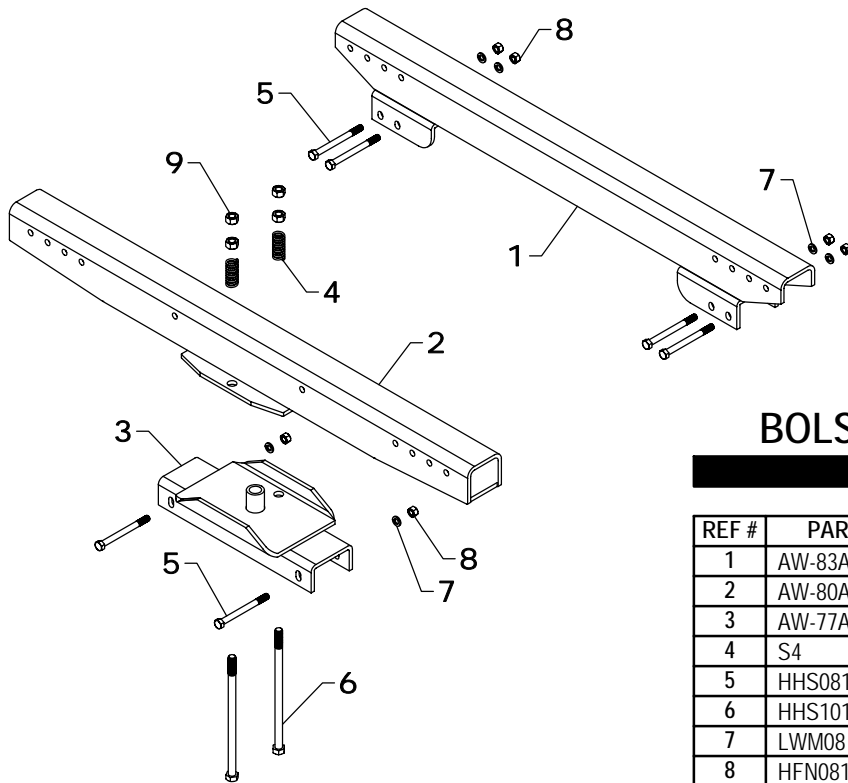
REF #	PART #	DESCRIPTION	QTY.
1	AW-69AS	STAKE	4
2	HHS0813088	1/2" X 5 1/2" BOLT	8
3	HTN0813	1/2" LOCK NUT	8



## WAC-202 STAKE AND HINGE ACCESSORY SET

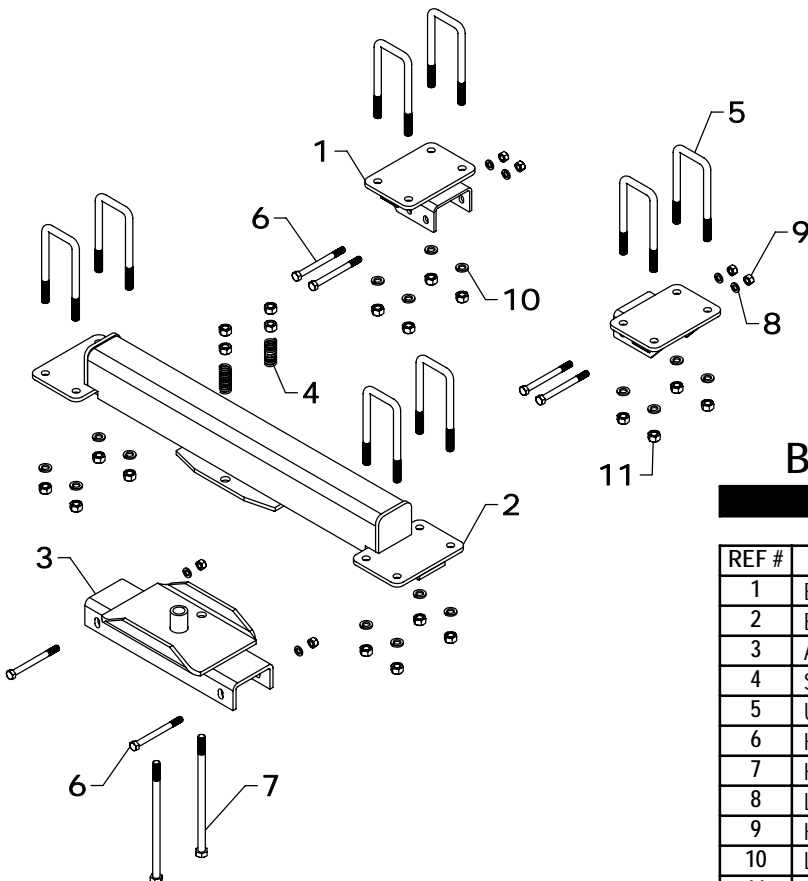
REF #	PART #	DESCRIPTION	QTY.
1	AW-69AS	STAKE	2
2	AW-71AS	HINGE PLATE	2
3	AW-73AS - R	AXLE CLAMP (RIGHT)	1
4	AW-73AS - L	AXLE CLAMP (LEFT)	1
5	HHS0813088	1/2" X 5 1/2" BOLT	8
6	HTN0813	1/2" LOCK NUT	8

WESTENDORFMFG PWB217020



## BOS-20 BOLSTER ACCESSORY SET

REF #	PART #	DESCRIPTION	QTY.
1	AW-83AS	REAR BOLSTER	1
2	AW-80AS	FRONT BOLSTER	1
3	AW-77AS	SADDLE	1
4	S4	SPRING	2
5	HHS0813088	1/2" X 5 1/2" BOLT	6
6	HHS1011192	5/8" X 12" BOLT	2
7	LWM08	1/2" LOCKWASHER	6
8	HFN0813	1/2" NUT	6
9	HFN1011	5/8" NUT	4



## BOS-124 BOLSTER ACCESSORY SET

REF #	PART #	DESCRIPTION	QTY.
1	BB-1AS	REAR BOLSTER PLATE	2
2	BB-4AS	FRONT BOLSTER	1
3	AW-77AS	SADDLE	1
4	S4	SPRING	2
5	U-8	U-BOLT (7 5/8" INSIDE LEG)	8
6	HHS0813088	1/2" X 5 1/2" BOLT	6
7	HHS1011192	5/8" X 12" BOLT	2
8	LWM08	1/2" LOCKWASHER	6
9	HFN0813	1/2" NUT	6
10	LWM10	5/8" LOCK WASHER	16
11	HFN1011	5/8" NUT	20

WESTENDORFMFG PWB217020