

TA-28 PLUS LOADER TOWER REPLACEMENT PARTS

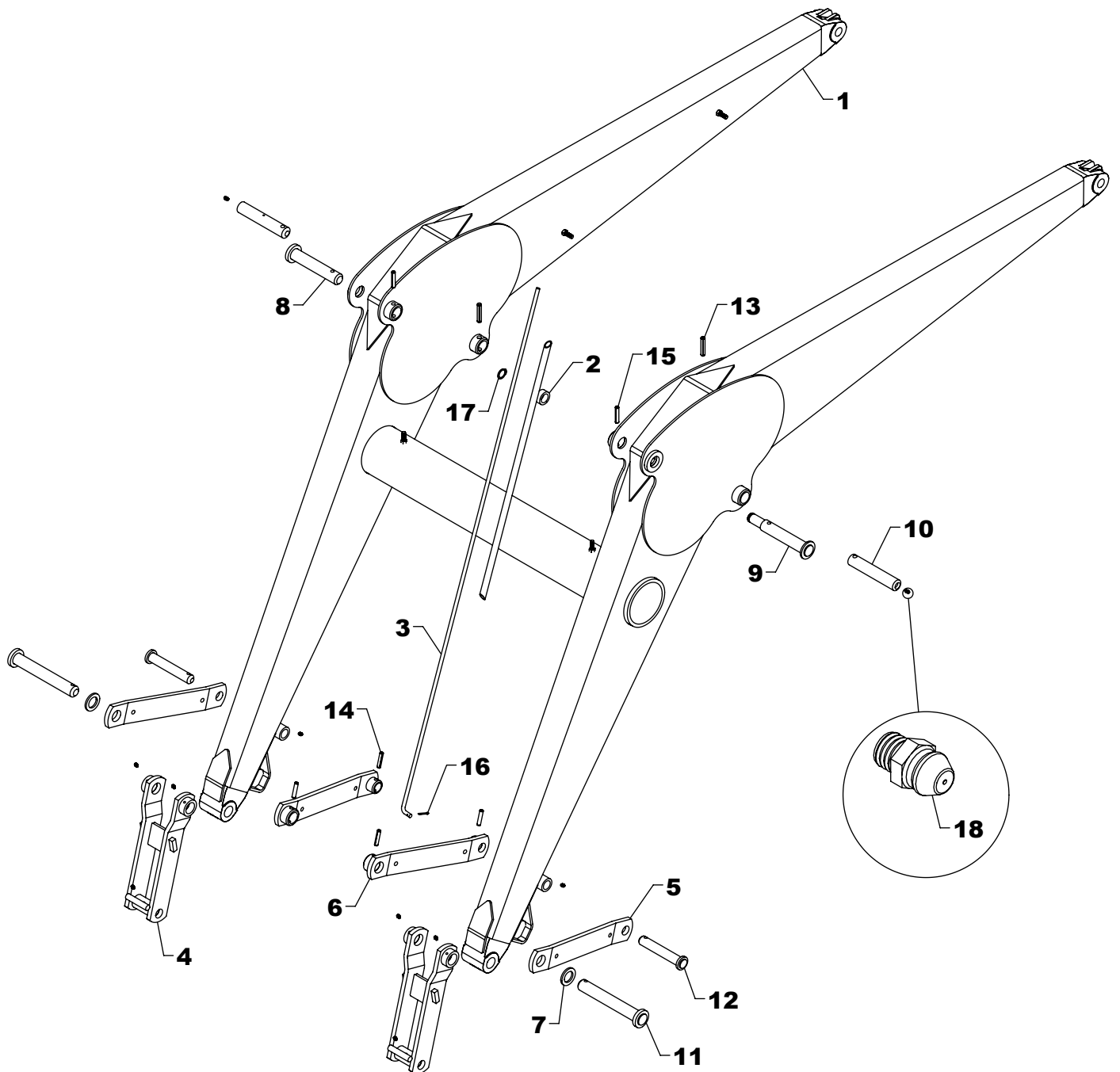
REF #	PART #	DESCRIPTION	QTY
1	RDT-12AS - R	TOWER (RIGHT)	1
2	RDT-12AS - L	TOWER (LEFT)	1
3	RT-15AS	SHOE	2
--	NAT-120COM - R	*SLIDE LOCK COMPLETE (RIGHT)	1
--	NAT-120COM - L	*SLIDE LOCK COMPLETE (LEFT)	1
4	NAT-120AS - R	SLIDE LOCK (RIGHT)	1
5	NAT-120AS - L	SLIDE LOCK (LEFT)	1
6	NAT-140	BAR CLAMP BOLT	4
7	RLG-51	SPRING	2
8	NAT-106 - R	DROP LOCK (RIGHT)	1
9	NAT-106 - L	DROP LOCK (LEFT)	1
10	NAT-126	RIVET	2

REF #	PART #	DESCRIPTION	QTY
11	XAF-54	LINKAGE PIN	4
12	RLP0700036	7/16" ROLL PIN	4
13	ZER1805	GREASE FITTING	4
14	HHS1011072	5/8" X 4 1/2" BOLT	4
15	HHS1011028	5/8" X 1 3/4" BOLT	4
16	CBF1011056	5/8" X 3 1/2" CARRIAGE BOLT	4
17	LWM10	5/8" LOCK WASHER	4
18	HTN1011	5/8" LOCK NUT	12
19	0H004	**FRONT WRAP	1
20	GP-2	MANUAL CANISTER	1
21	EC-M03	SELF TAPPING SCREW	2

NOTE: * NAT-120COM - R contains 4, 6(2), 7(1), 8, 10(1), 16(2), 18(4). NAT-120COM - L contains 5, 6(2), 7(1), 9, 10(1), 16(2), 18(4). **NOTE:** ** Varies by tractor (Stand Front Wrap is 0H004).

WESTENDORFMFG PWB411330

WESTENDORF MFG CO., INC. • PH: (712) 423-2762 • FAX: (712) 423-1460 • sales@westendorfmfg.com • www.loaders.com



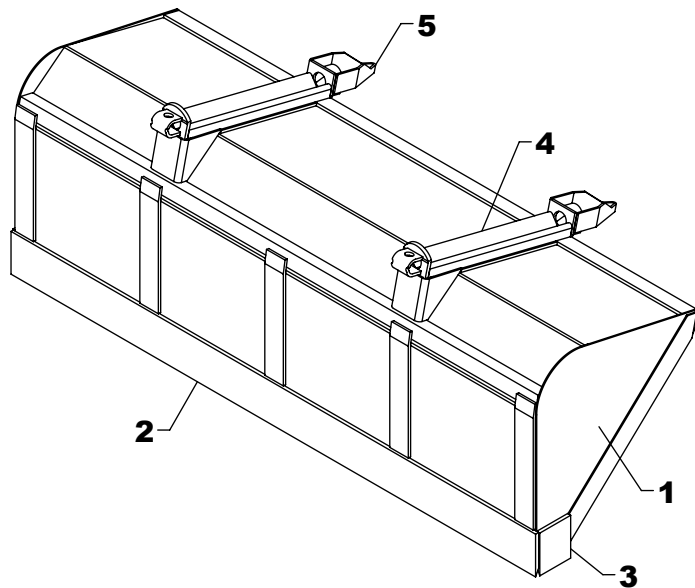
TA-28 PLUS LOADER FRAME REPLACEMENT PARTS

REF #	PART #	DESCRIPTION	QTY
1	RDF-4AS	FRAME	1
2	RAF-66AS	GAUGE ROD HOLDER	1
3	RCF-47	GUAGE ROD	1
4	NAF-15AS	LINKAGE CONNECTOR	2
5	NAF-10	BUCKET PIVOT	2
6	NAF-10AS	BUCKET PIVOT	2
7	NAF-217	SPACER	2
8	NAF-56AS	PIN	1
9	NAF-57AS	GAUGE ROD PIN S.L.	1

REF #	PART #	DESCRIPTION	QTY
10	XAF-54	LINKAGE PIN	2
11	LMF-125AS	ROUND HEAD PIN	2
12	LMF-28AS	PIVOT PIN	2
13	RLP0700036	7/16" ROLL PIN	2
14	DRP0600028	DOUBLE ROLL PIN	4
15	DRP0600032	DOUBLE ROLL PIN	2
16	CTK0200016	1/8" X 1" COTTER KEY	1
17	SR-C08	SNAP RING	1
18	ZER1805	GREASE FITTING	10

WESTENDORFMFG PWB411330

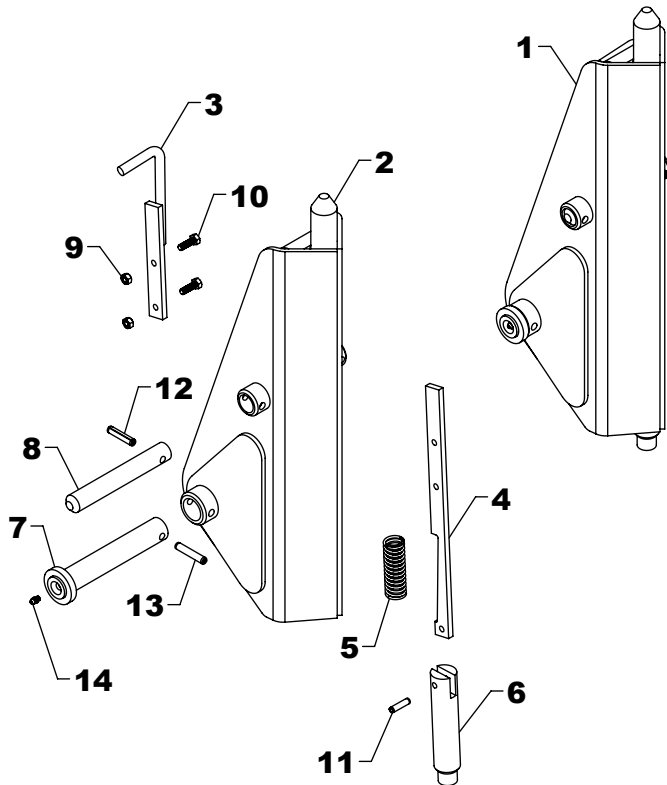
WESTENDORF MFG. CO., INC. • PH:(712) 423-2762 • FAX: (712) 423-1460 • sales@westendorfmfg.com • www.loaders.com



BUCKET

REF #	PART #	DESCRIPTION	QTY.
1	84Q216	84" BUCKET	1
	84Q225	84" BUCKET	1
	90Q225	90" BUCKET	1
	96Q229	96" BUCKET	1
2	SB-14	84" BLADE	1
	LB-14	90" BLADE	1
	CB-14	96" BLADE	1
3	SB-15	BLADE	2
4	QC-13AS	WELD ON ADAPTER	2
5	JB-22	GUIDE (OPTIONAL)	2

NOTE: *Check width of the bucket and use the part number that matches. If your size is not shown, contact Westendorf Mfg. Co.



SNAP-ATTACH™ COUPLER (C-4B)

REF #	PART #	DESCRIPTION	QTY.
1	QC-1201COM	SNAP ATTACH	1
2	QC-1201AS	MALE COUPLER	1
3	QC-6AS	LATCH HANDLE	1
4	QC-8	LATCH	1
5	QC-12	SPRING	1
6	QC-3	BOTTOM LATCH PIN	1
7	XAF-55AS	LINKAGE PIN	1
8	LF-51	LINKAGE PIN	1
9	HTN0518	5/16" LOCK NUT	2
10	HHS0518016	5/16" X 1" BOLT	2
11	RLP0500020	5/16" X 1 1/4" ROLL PIN	1
12	DRP0600028	DOUBLE ROLL PIN	1
13	DRP0600032	DOUBLE ROLL PIN	1
14	ZER1805	GREASE FITTING	1

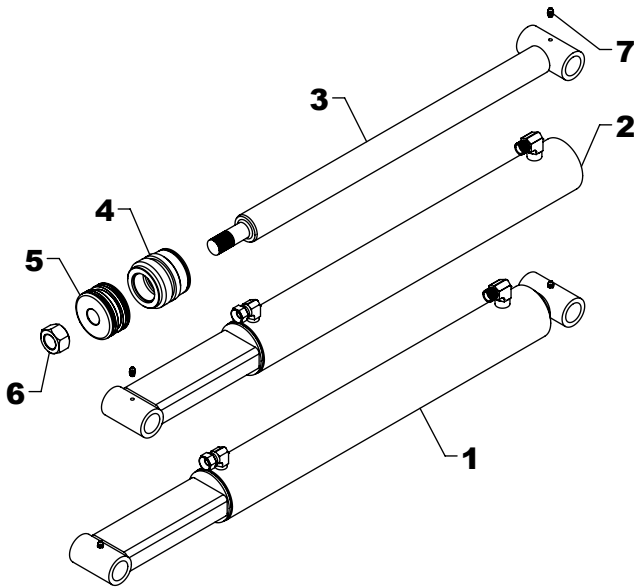
NOTE: Qty. shows number of parts received if ordered using listed part numbers. C-4B is two (QC-1201COM) couplers.

COSMETICS

REF #	PART #	DESCRIPTION	QTY.
1	DEC-28 PLUS	DECAL KIT (TA-28 PLUS)	1
	DEC-29	DECAL KIT (TA-29)	1
2	V-5403-A	RED SPRAY PAINT	1
	V-9524-A	STONE BLACK SPRAY PAINT	1

REF #	PART #	DESCRIPTION	QTY.
3	V-9524-P	PINT STONE BLACK PAINT	1
4	V-9524-Q	QUART STONE BLACK PAINT	1
5	V-9524-G	GALLON STONE BLACK PAINT	1

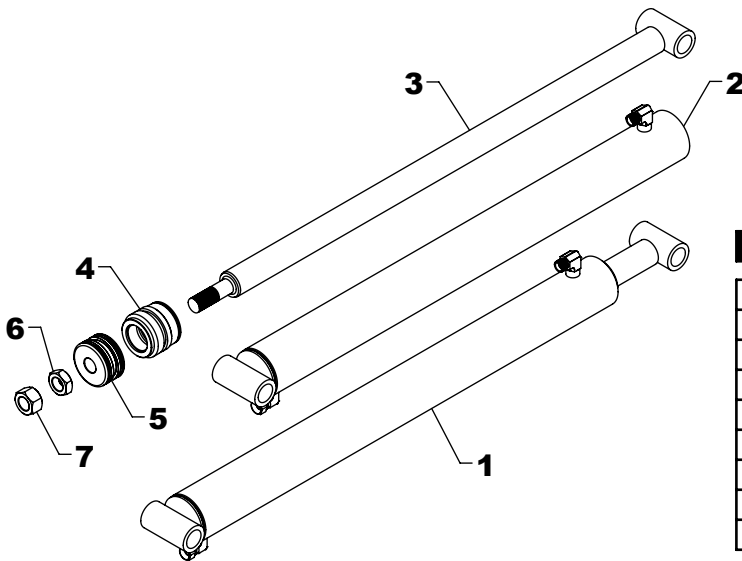
NOTE: Warning decals are available at no charge. If they become damaged or missing, order part numbers DEC-CW.



TA-28 PLUS BUCKET CYLINDER REPLACEMENT PARTS

REF #	PART #	DESCRIPTION	QTY
1	B-24	BUCKET CYLINDER	1
2	B-2401	BARREL	1
3	B-2410	RAM	1
4	G-L	GLAND	1
5	P-B	PISTON	1
6	HFN1614	1" NUT	1
7	ZER1805	GREASE FITTING	2
8	#4CK	REPAIR KIT	1

NOTE: * Repair kit contains parts to repair one cylinder



TA-28 PLUS LIFT CYLINDER REPLACEMENT PARTS

REF #	PART #	DESCRIPTION	QTY.
1	L-41	LIFT CYLINDER	1
2	L-4101	BARREL	1
3	L-4110	RAM	1
4	G-L	GLAND	1
5	P-B	PISTON	1
6	HJN1614	1" JAM NUT	1
7	HFN1614	1" NUT	1
8	#4CK	REPAIR KIT	1

NOTE: * Repair kit contains parts to repair one cylinder

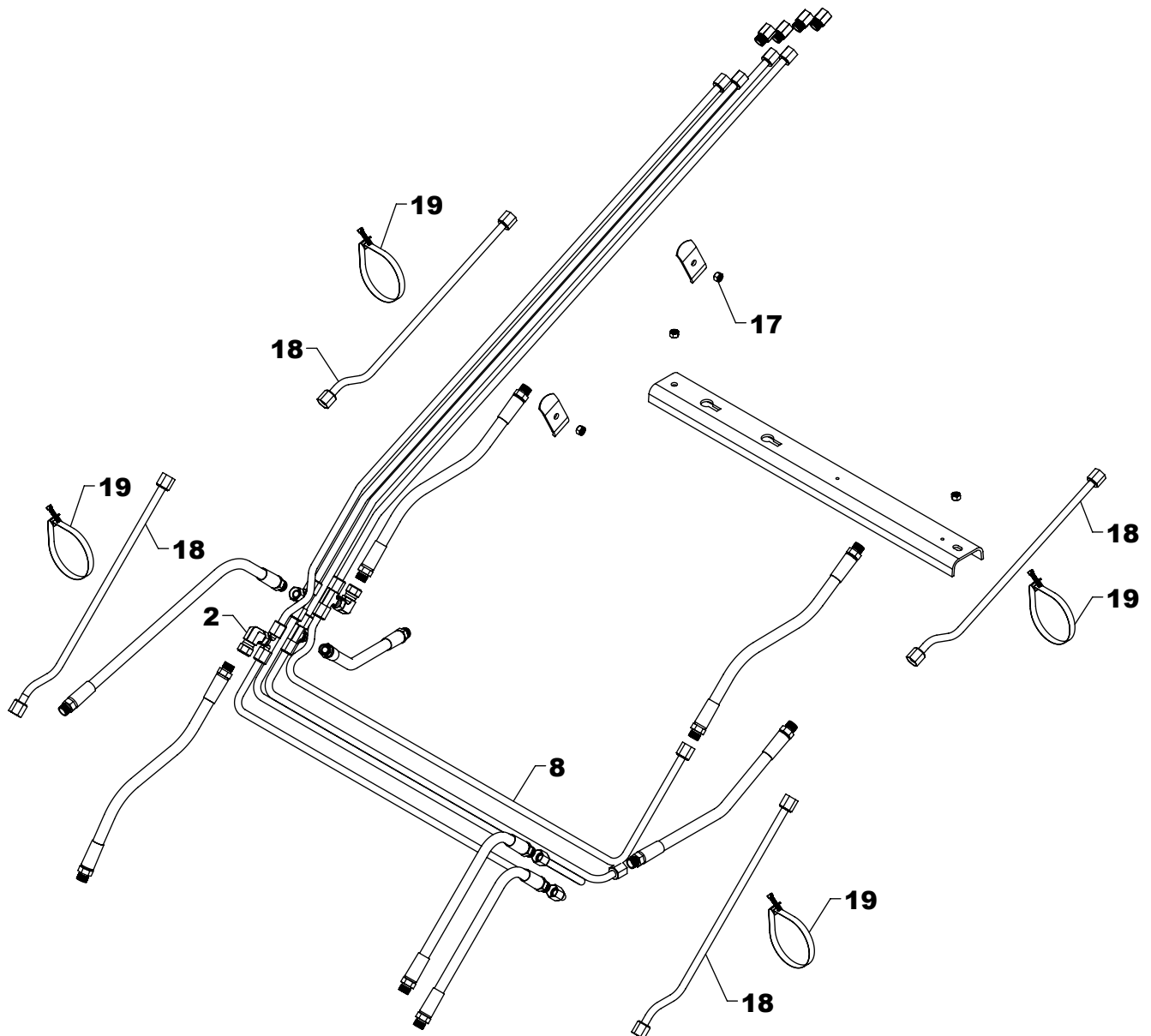
STEPS TO REPAIR CYLINDER

- 1) With ram fully extended, remove snap ring or spiral retaining ring from gland at barrel end of cylinder.
 - SNAP RING: Rotate gland until snap ring eyes are visible. Compress with snap ring pliers to remove.
 - RETAINING RING: Gently drive gland into the barrel using a non marring punch to remove retaining ring with a long nose pliers.
- 2) Remove ram assembly (ram, gland, and piston) from barrel.
- 3) Remove piston and gland from ram; be sure to notice the direction they are facing so cylinder can be reassembled properly.

- 4) Remove old seals and rings and replace them with new seals and rings (you may have extra parts as kits are packaged for multiple cylinders).
- 5) Clean cylinder with cleaner and a lint free cloth.
- 6) Lubricate seals and rings and reassemble cylinder in reverse order.

REPAIR TIPS

- Remove parts in sequence and keep in correct orientation during disassembly.
- Notice the direction of piston and gland. Lay out old seals and rings as they are removed.
- Assemble the cylinder in proper order; lubricate to aid assembly.



TA-28 PLUS HYDRAULICS

REF #	PART #	DESCRIPTION	QTY.
1	PF-FFC8	FEMALE CONNECTOR	4
2	PF-FSE8	90° SWIVEL NUT ELBOW	2
3	PF-FSBT8	SWIVEL NUT TEE	4
4	OLT-14	OIL LINE	1
5	OLT-15	OIL LINE	1
6	OLT-16	OIL LINE	1
7	OLT-17	OIL LINE	1
8	OLT-190	OIL LINE	1
9	OLT-191	OIL LINE	1
10	OLT-192	OIL LINE	1

REF #	PART #	DESCRIPTION	QTY.
11	OLT-193	OIL LINE	1
12	OH-3	OIL LINE HOLDER	2
13	OH-2	OIL LINE PROTECTOR	1
14	H06015-FF	3/8" X 15" HOSE	2
15	H06020-FF	3/8" X 20" HOSE	5
16	H06030-FF	3/8" X 30" HOSE	1
17	HTN0616	3/8" LOCK NUT	4
18	OLT-143	OIL LINE	4
19	BAND-15	METAL BAND	4