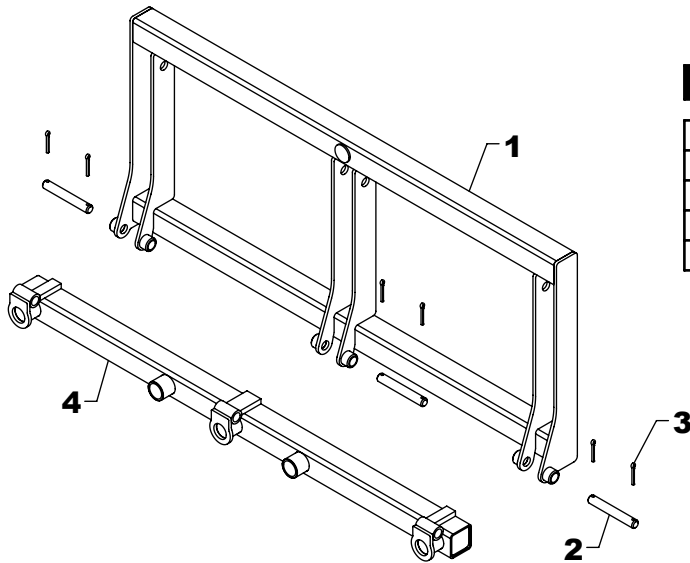
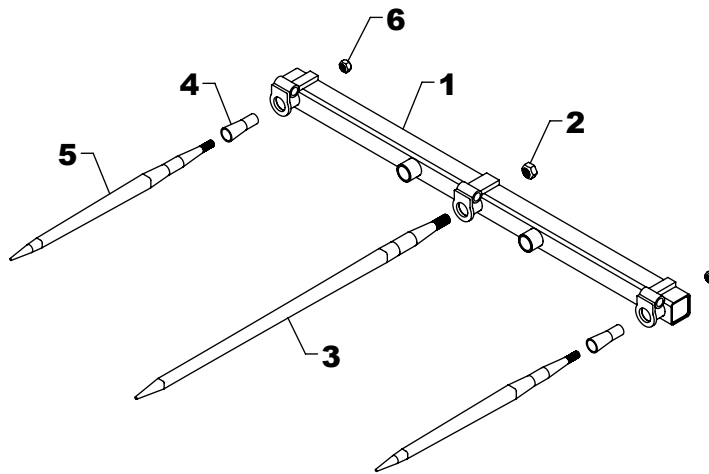


STACK SAVER II FRAME COMPLETE



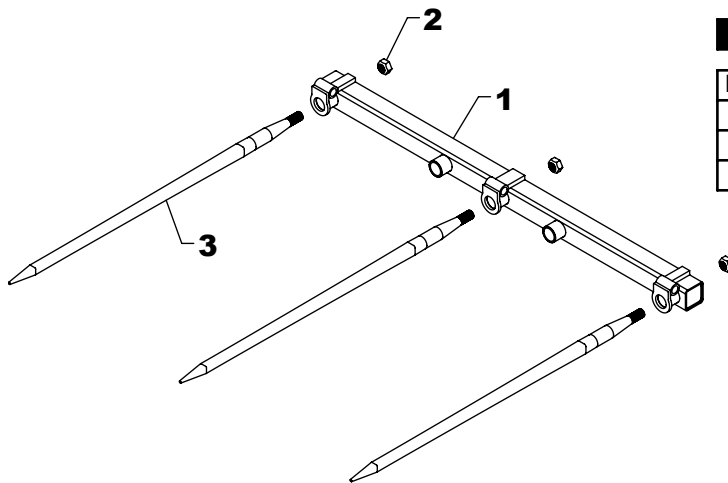
REF #	PART #	DESCRIPTION	QTY
1	SS-103AS	FRAME	1
2	SS-104	PIVOT PIN	3
3	CTK0400032	1/4" X 2" COTTER KEY	6
4	SS-280AS	SPEAR HOLDER	1

SS-II-3 SPEAR HOLDER



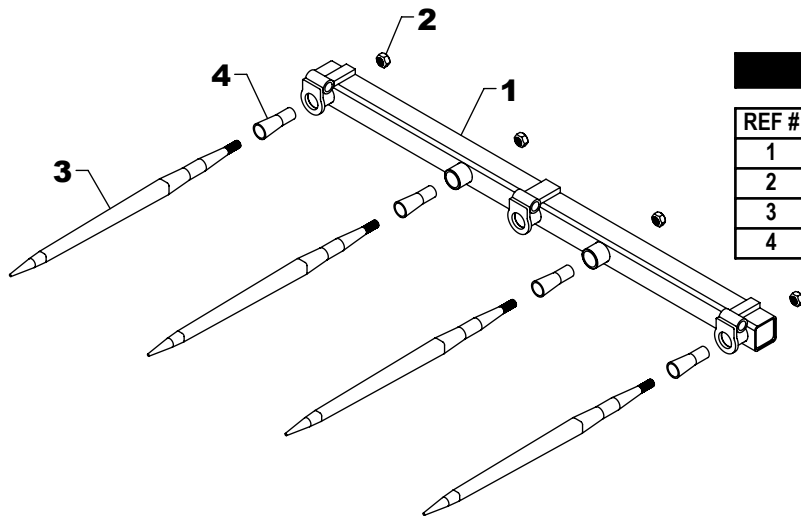
REF #	PART #	DESCRIPTION	QTY
1	SS-280AS	SPEAR HOLDER	1
2	BS-247	NUT	1
3	BS-248	BALE SPEAR	1
4	BUS-64	INSERT BUSHING	2
5	TB-111	UPPER TINE	2
6	TB-112	TINE NUT	2

SS-II-3L SPEAR HOLDER



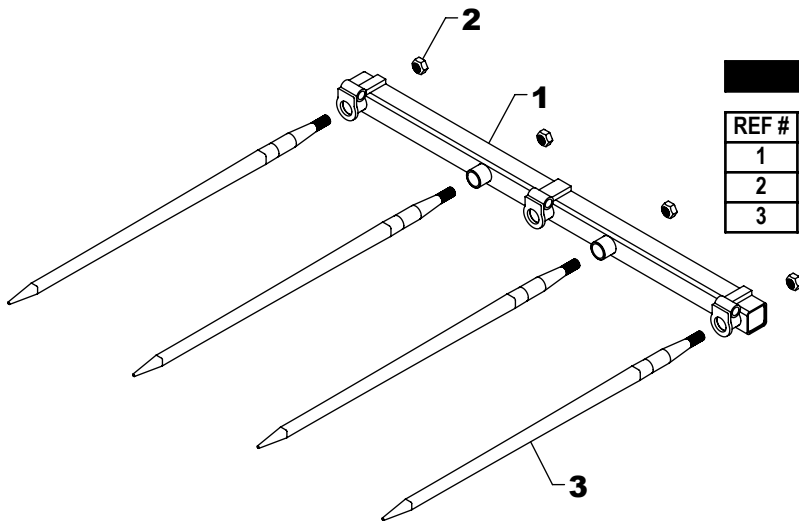
REF #	PART #	DESCRIPTION	QTY
1	SS-280AS	SPEAR HOLDER	1
2	BS-247	NUT	3
3	BS-248	BALE SPEAR	3

SS-II-4 SPEAR HOLDER



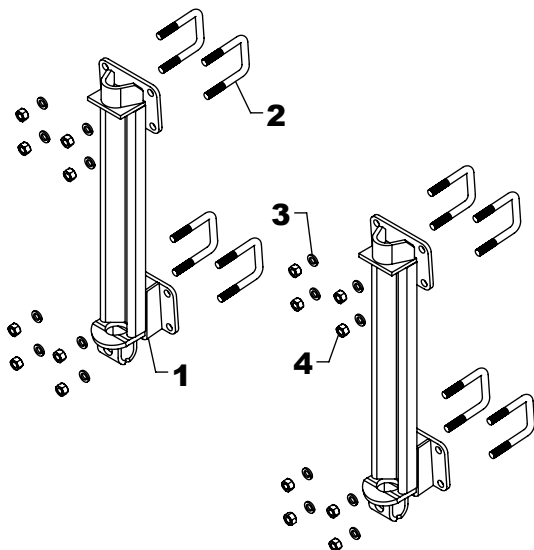
REF #	PART #	DESCRIPTION	QTY
1	SS-280AS	SPEAR HOLDER	1
2	TB-112	TINE NUT	4
3	TB-111	UPPER TINE	4
4	BUS-64	INSERT BUSHING	4

SS-II-4L SPEAR HOLDER



REF #	PART #	DESCRIPTION	QTY
1	SS-280AS	SPEAR HOLDER	1
2	BS-247	NUT	4
3	BS-248	BALE SPEAR	4

C-3 KIT SNAP-ATTACH™ ADAPTER



REF #	PART #	DESCRIPTION	QTY.
1	QC-300AS	BOLT ON ADAPTER	2
2	U-5	U-BOLT (4 1/2" INSIDE LEG)	8
3	LWM10	5/8" LOCK WASHER	16
4	HFN1011	5/8" NUT	16

NOTE: C-3 Adapters are standard for Westendorf loaders. Other adapters are available. See instructions for alternate adapters.