

COOL CAP™ STANDARD LOW-PROFILE BRACKET REPLACEMENT PARTS

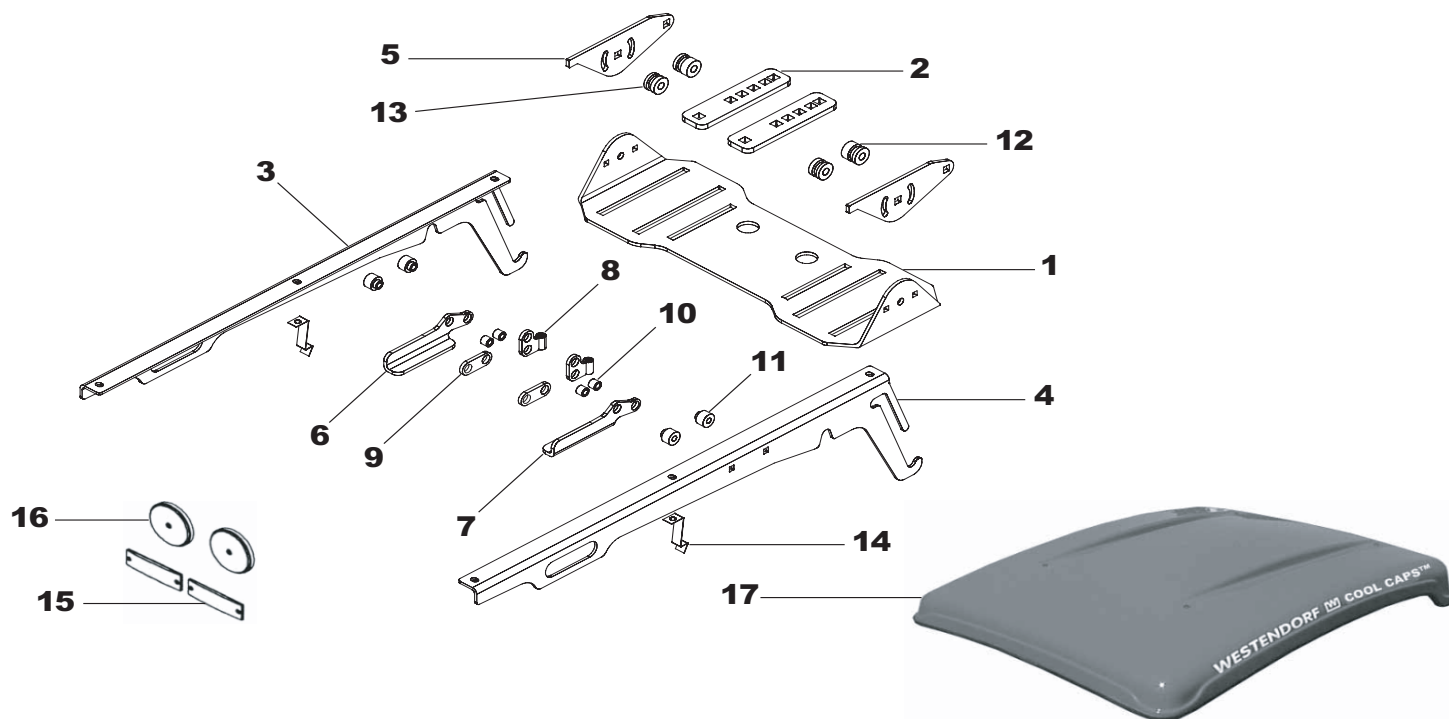
Ref.	Part No.	Description	Qty.
1	HH-49	MAIN BRACKET	1
2	HH-7	CLAMP BAR	2
3	HH-52-R	COOL CAP ARM (RIGHT)	1
4	HH-52-L	COOL CAP ARM (LEFT)	1
*	HH-50-R	COOL CAP ARM (RIGHT)	1
*	HH-50-L	COOL CAP ARM (LEFT)	1
5	HH-13	AMBER REFLECTOR	1
6	HH-14	RED REFLECTOR	1
7	HH-0100	LARGE COOL CAP**	1
	HH-0200	XLARGE COOL CAP**	1
	HH-0300	SMALL COOL CAP**	1

NOTE: *HH-50 is for SMALL COOL CAP

** Specify size and color when ordering.

COOL CAP™ LOW-PROFILE STATIONARY BOLT KIT

Ref.	Part No.	Description	Qty.	Ref.	Part No.	Description	Qty.
8	HHS0616020	3/8" X 1 1/4" BOLT	6	12	LWM08	1/2" LOCK WASHER	8
9	CBF0813016	1/2" X 1" CARRIAGE BOLT	4	13	HTN0616	3/8" LOCK NUT	6
10	CBF0813056	1/2" X 3 1/2" CARRIAGE BOLT	4	14	HFN0813	1/2" NUT	8
11	FWW06	3/8" FLAT WASHER	6				



BASIC COOL CAP™ EASY-OFF BRACKET REPLACEMENT PARTS

Ref.	Part No.	Description	Qty.	Ref.	Part No.	Description	Qty.
*	HH-32AS-R	RIGHT ARM BRACKET ASSEMBLY	1	5	HH-33	ADJUSTMENT PLATE	2
*	HH-32AS-L	LEFT ARM BRACKET ASSEMBLY	1	6	HH-34-R	HANDLE	1
**	HH-51AS-R	RIGHT ARM BRACKET ASSEMBLY	1	7	HH-34-L	HANDLE	1
**	HH-51AS-L	LEFT ARM BRACKET ASSEMBLY	1	8	HH-35AS	CLAMP ADJUSTER	2
***	HH-1CAS	MAIN BRACKET ASSEMBLY	1	9	HH-36	LINKAGE	2
1	HH-1C	MAIN BRACKET	1	10	HH-38	HANDLE BUSHING	4
2	HH-7A	CLAMP BAR	2	11	HH-39	HANDLE SPACER	4
3	HH-32-R	COOL CAP ARM	1	12	HH-40	ARM GUIDE	2
***	HH-51-R	COOL CAP ARM	1	13	HH-41	ARM POSITIONER	2
4	HH-32-L	COOL CAP ARM	1	14	HH-42	SPRING LOCK	2
***	HH-51-L	COOL CAP ARM	1	15	HH-13	AMBER REFLECTOR	2
				16	HH-14	RED REFLECTOR	2
				17	HH-0100	LARGE COOL CAP****	1
					HH-0200	XLARGE COOL CAP****	1
					HH-0300	SMALL COOL CAP****	1

* HH-32AS-R contains parts 3,6,8,9,10,11 & 14.

* HH-32AS-L contains parts 4,6,8,9,10,11 & 14.

** HH-51AS-R contains parts 3,6,8,9,10,11 & 14

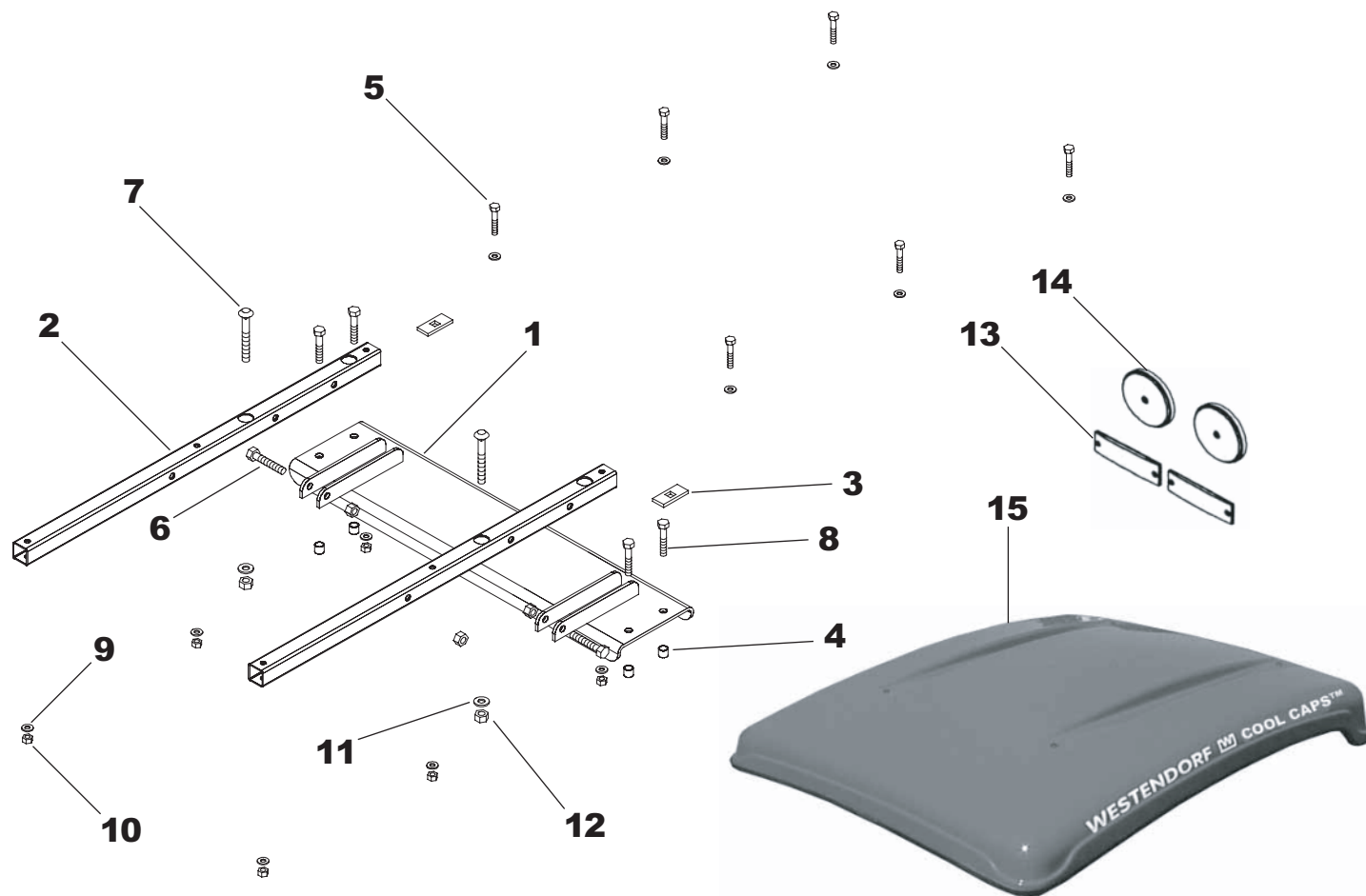
** HH-51AS-L contains parts 4,6,8,9,10,11 & 14

*** HH-1CAS contains parts 1,5,13, & 12

** HH-51 is for small cool cap **** Specify size and color when ordering.

COOL CAP™ BOLT KIT (BHH-A00)

Ref.	Part No.	Description	Qty.	Ref.	Part No.	Description	Qty.
18	HHS0616016	3/8" X 1" BOLT	4	24	AHS0616020	3/8" X 1-1/4" SET SCREW	2
19	HHS0616020	3/8" X 1 1/4" BOLT	6	25	FWW05	5/16" FLAT WASHER	12
20	CBF0616016	3/8" X 1" CARRIAGE BOLT	4	26	FWW06	3/8" FLAT WASHER	6
21	CBF0616024	3/8" X 1 1/2" CARRIAGE BOLT	4	27	FWW08	1/2" FLAT WASHER	4
22	CBF0813032	1/2" X 2" CARRIAGE BOLT	4	28	HTN0616	3/8" LOCK NUT	18
23	CBF0813056	1/2" X 3 1/2" CARRIAGE BOLT	4	29	HTN0813	1/2" LOCK NUT	8



BASIC COOL CAP™ LOW-PROFILE SAME TRACTOR BRACKET REPLACEMENT PARTS

Ref.	Part No.	Description	Qty.	Ref.	Part No.	Description	Qty.
1	HH-29AS	MAIN BRACKET ASSEMBLY	1	10	HTN0616	3/8" LOCK NUT	6
2	HH-3B	MOUNTING TUBE	2	11	FWW08	1/2" FLAT WASHER	2
3	HH-4	BOLT STABILIZER PLATE	2	12	HTN0813	1/2" LOCK NUT	4
4	HH-30	SPACER BUSHING	4	13	HH-13	AMBER REFLECTOR	2
5	HHS0616040	3/8" X 2 1/2" BOLT	6	14	HH-14	RED REFLECTOR	2
6	HHS0813024	1/2" X 2 1/2" BOLT	2	15	HH-0100	LARGE COOL CAP*	1
7	CBF0813024	1/2" X 1 1/2" CARRIAGE BOLT	2		HH-0200	XLARGE COOL CAP*	1
8	MHS1217035	12mm X 35mm - 1.75p BOLT	4		HH-0300	SMALL COOL CAP*	1
9	FWW06	3/8" FLAT WASHER	12				

* Specify size and color when ordering.