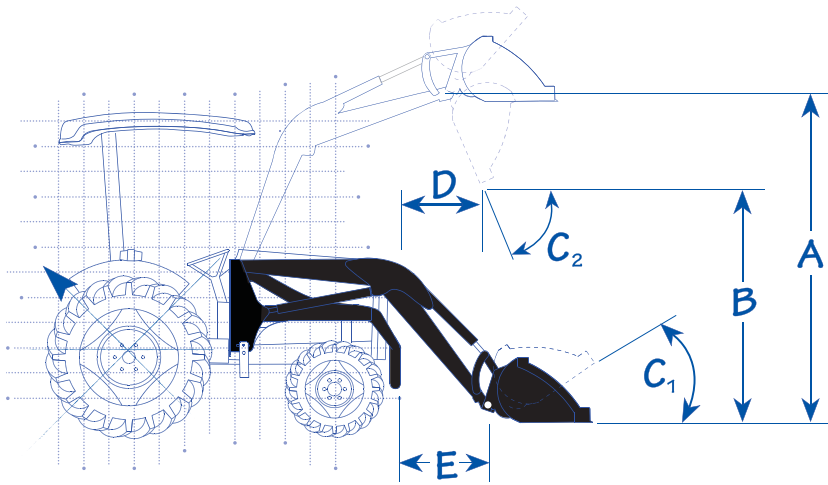


TA-140

SPECIFICATIONS



- A) Lift Height: **91" - 7'7"**
- B) Clearance: **68" - 5'8"**
- C) Bucket Roll Back Angle: **22°**
Bucket Dump Angle: **47°**
- D) Reach at Max Height: **40"**
- E) Reach at Ground Level: **22"**

	1800 PSI	2200 PSI
Lift Capacity - AWC* (31.5" forward from pin)	1400	1710
Lift Capacity - Pivot Pin	1880	2300

*AWC - Actual Working Capacity

PACKAGE COMPONENTS

- Hydraulic Power-Mount™
- Quick-Attach System
- Hose Kit
- Standard Bracket Set
- Bucket Gauge Rod

- 2" Lift & Bucket Cylinders
- 60" Tapered Bucket
- 60"-66" Skid Steer Buckets and Adapter (opt)

LOADER SPECIFIC UPGRADES & ATTACHMENTS

Loader Upgrades

- Hydra-Snap™
- Hydraulic Valve Block
- Joystick Upgrade
- Comfort Ride
- Joystick w/ Power Beyond

- 60" Bucket Teeth
- 60" Dozer Blade
- 72" Snow Scraper
- 72" V-Plow
- Ballast 3 Pt. Barrel Holder
- Forklift with 42" Teeth
- Brush Crusher™
- Brush Crusher™ Finishing Teeth



WESTENDORF MANUFACTURING CO. INC.

P.O. BOX 29 • ONAWA, IA 51040 • PH: (712)423-2762 • FAX:(712)423-1460
Email: sales@westendorfmfg.com Website: www.loaders.com